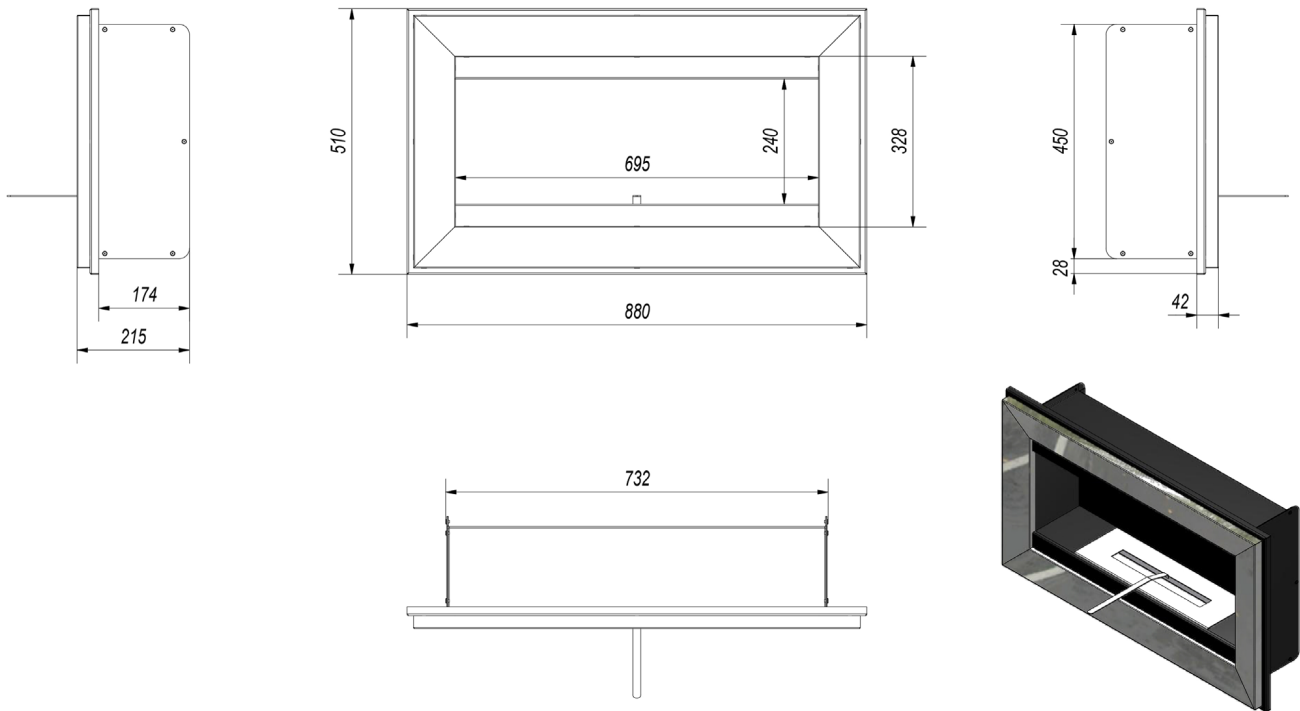




BIO-80-041



TECHNICAL SPECIFICATIONS

Type	Wall-mounted bioethanol fireplace
Size	Height: 510 mm / Width: 880 mm / Depth: 174 mm
Materials	Steel
Weight	Approx. 20 kg.
Burner	Adjustable Manuel burner (Burner width: 411 mm / Flame width: 350 mm)
Capacity	0,75 Liter
Usage	Approx 0.25 L/h - Up to 3 hours per filling
Fuel	Bioethanol (Recommended 96,6% alcohol)
Colour	Several colors
Heat Output	1,7 kW
Electricity	No