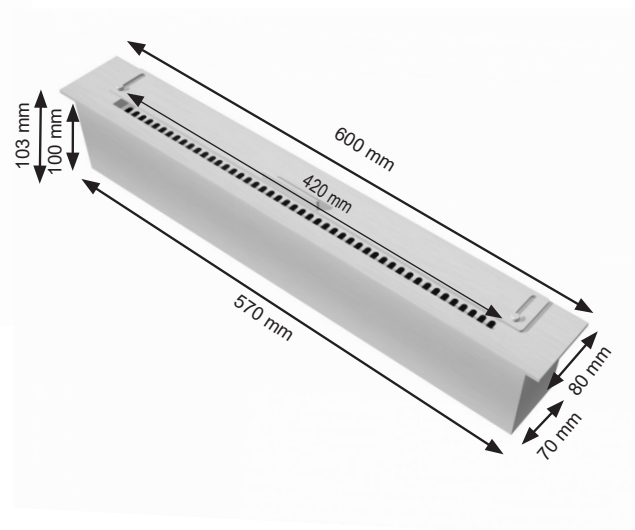




BIO375

Manual Bioethanol Burner



TECHNICAL SPECIFICATIONS

Type	Manual Bioethanol Burner
Size	Outside: Height: 103 mm / Width: 600 mm / Depth: 80 mm Inside: Height: 100 / Width: 570 mm / Depth: 70 mm
Materials	Stainless steel
Weight	Approx. 5 kg
Burner	Adjustable manual bioethanol burner
Capacity	3.0 Liter
Usage	Approx. 0.432 L/hour - Max 7h00m per filling
Fuel	Bioethanol (Recommended 96,6% alcohol)
Colour	Brushed steel
Heat Output	3.00 kW
Electricity	No