

BIO322 // Long 5.0 Liter Bioethanol Burner

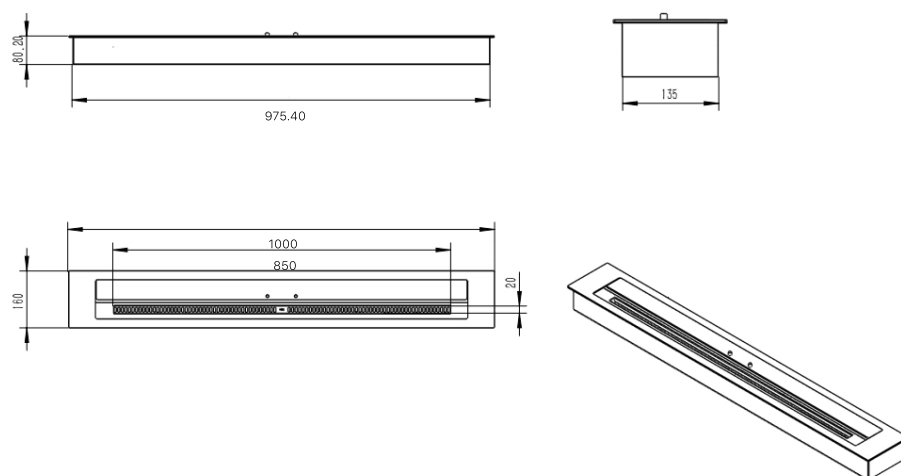
Technical Specifications

Fireplace Type	Bioethanol Burner
Fuel	Bioethanol, max. 97.5% alcohol
Weight	16 kg.
Materials	Stainless Steel
Size	Height: 80 / Width: 1000 / Depth: 160 mm.
Colour	Steel
Burner type	Manual
Capacity	5.0 liter
Adjustable flame	Yes
Burn time	Up to 5h45m
Requires electricity	No
Heat effect	6.56 kW/h

Pictures



Technical Drawings



www.biofireplacegroup.com

Date of publication: 24/09-2018