

BIO317-OUT // Long 4,0 Liter Outdoor Burner

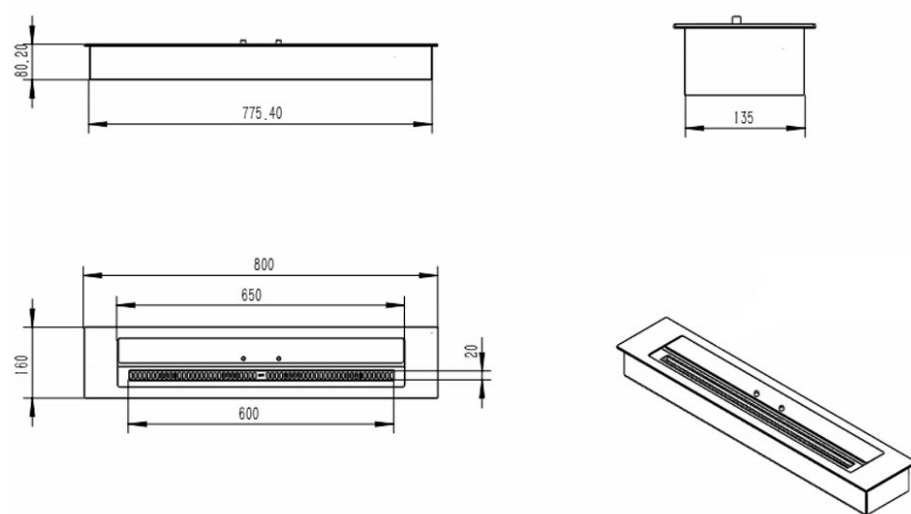
Technical Specifications

Fireplace Type	Outdoor Bioethanol Burner
Fuel	Bioethanol, max. 97.5% alcohol
Weight	12.5 kg.
Materials	Stainless Steel
Size	Height: 80 / Width: 800 / Depth: 160 mm.
Colour	Steel
Burner type	Manual
Capacity	4.0 liter
Adjustable flame	Yes
Burn time	Up to 6h30m
Requires electricity	No
Heat effect	4,92 kW/h

Pictures



Technical Drawings



www.biofireplacegroup.com

Date of publication: 24/09-2018