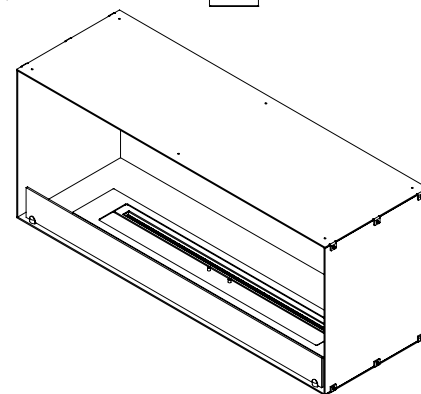
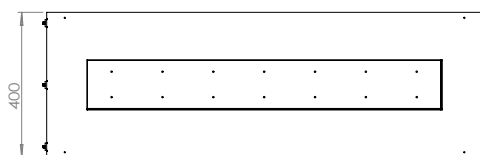
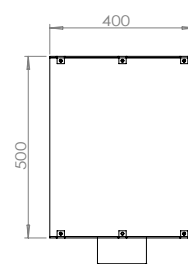
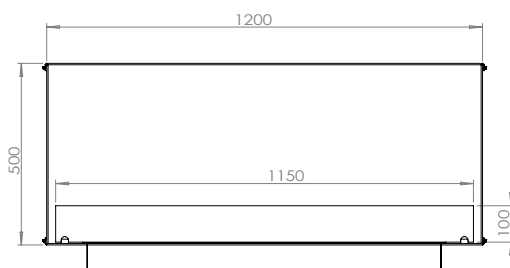




# Foco One 1200 (Manual)

BIO-30-130



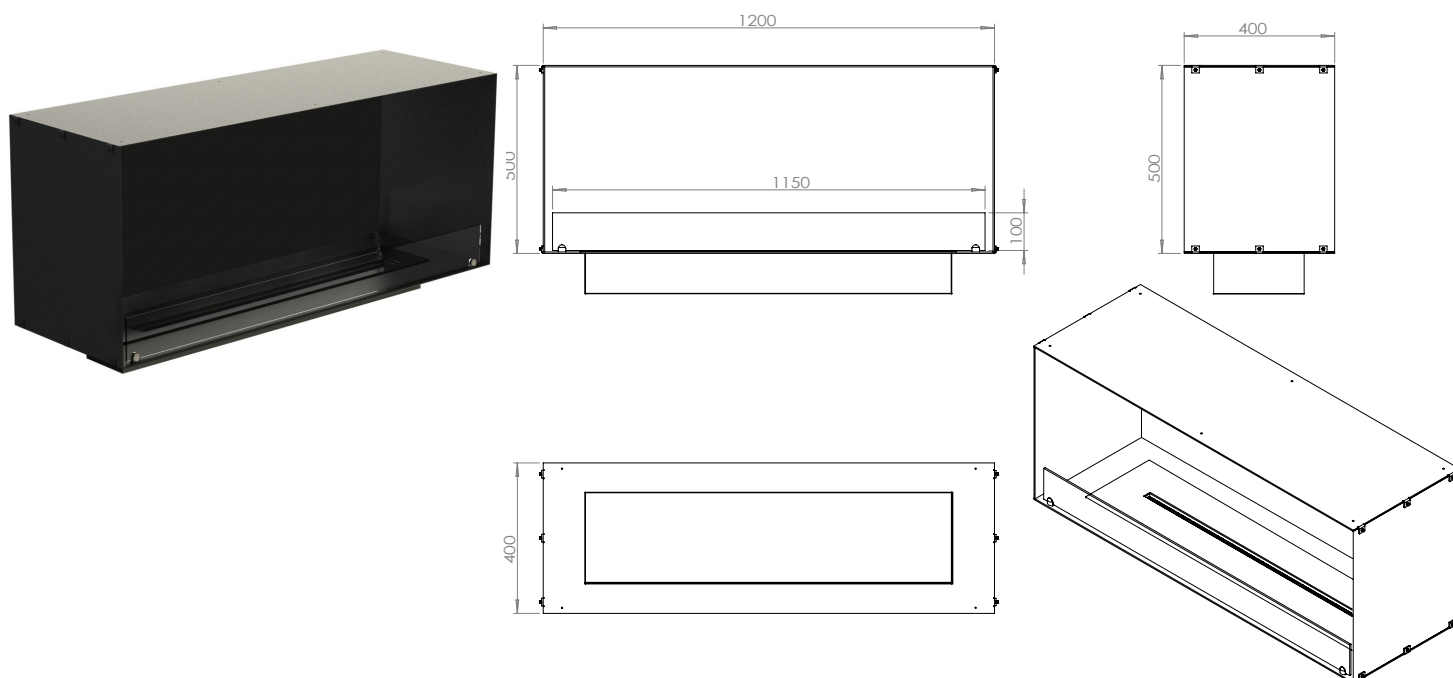
## TECHNICAL SPECIFICATIONS

Type	Built-in Bioethanol Fireplace
Size	Height: 500 mm / Width: 1200 mm / Depth: 400 mm (Height with burner: 580 mm)
Materials	Steel
Weight	Approx. 30 kg
Burner	Adjustable Manuel bioethanol burner (Burner width: 1000 mm / Flame width: 850 mm)
Capacity	5,0 Liter
Usage	Approx 0.88 L/hour - Max 5.75 hour per filling
Fuel	Bioethanol (Recommended 96,6% alcohol)
Colour	Black
Heat Output	6.56 kW
Electricity	No



# Foco One 1200 (PrimeFire)

BIO-30-130



## TECHNICAL SPECIFICATIONS

Type	Built-in Bioethanol Fireplace
Size	Height: 500 mm / Width: 1200 mm / Depth: 400 mm (Height with burner: 645 mm)
Materials	Steel
Weight	Approx. 40 kg
Burner	Planika PrimeFire 1000 (Burner width: 1000 mm / Flame width: 800 mm)
Capacity	3,5 Litres
Usage	Approx 0.58 - 0.88 L/hour - 4 - 6 hour per filling
Fuel	Bioethanol (Recommended Fanola Premium)
Colour	Black
Heat Output	3.7 - 5.6 kW
Electricity	Yes