

# BIO-30-023 // Three-sided Built-in Fireplace

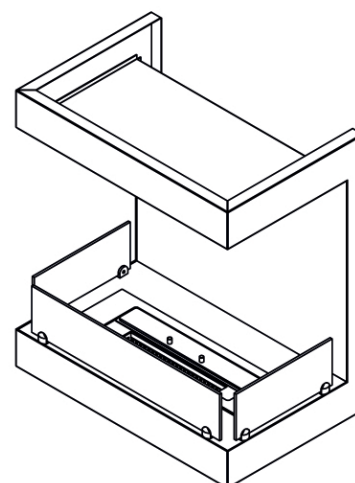
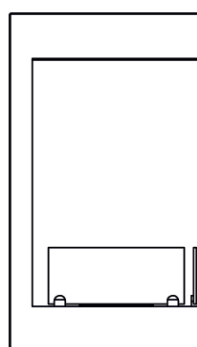
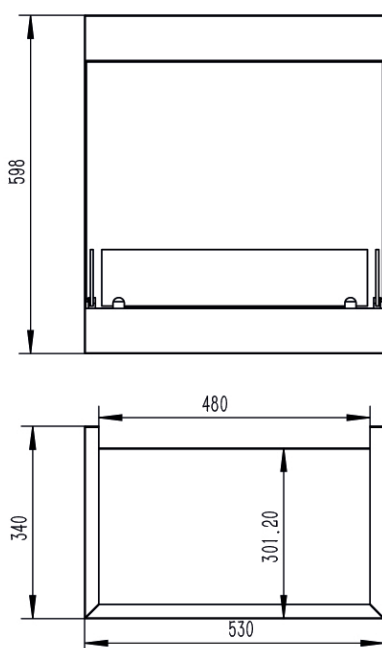
## Technical Specifications

Fireplace Type	Built-in bioethanol fireplace
Fuel	Bioethanol, max. 97.5% alcohol
Weight	8 kg.
Materials	Steel and tempered glass
Size	Height: 598 / Width: 530 / Depth: 340 mm.
Colour	Powder coated black
Burner type	Manual
Capacity	2,5 liter
Adjustable flame	Yes
Burn time	Up to 7h30m
Requires electricity	No
Heat effect	2,14 kW/h

## Pictures



## Technical Drawings



[www.biofireplacegroup.com](http://www.biofireplacegroup.com)

Date of publication: 08/10-2018