

# BIO-30-022 // Automatic See-through Fireplace 150 cm

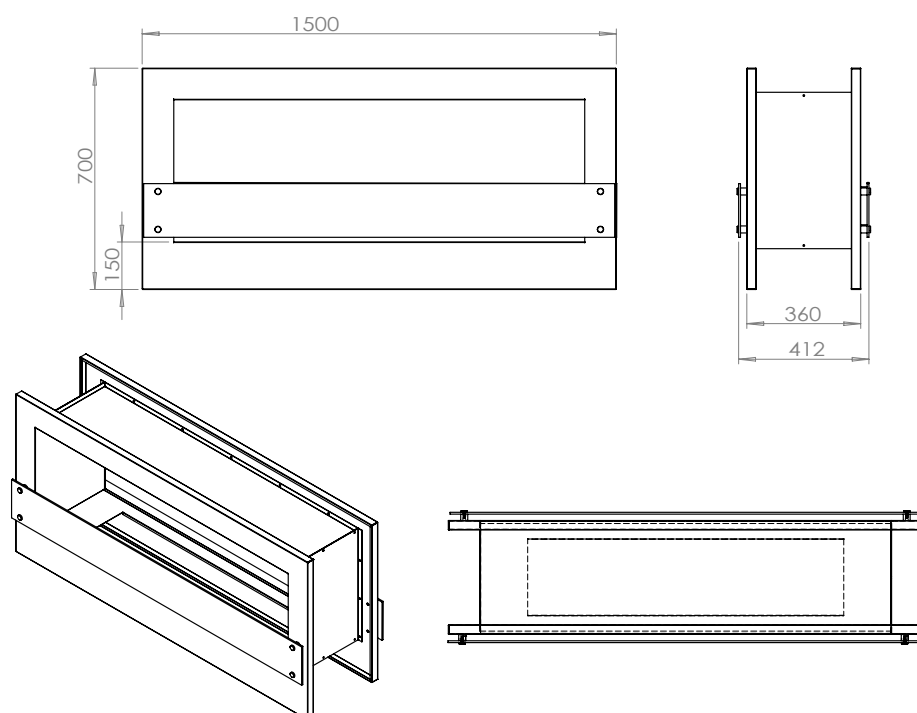
## Technical Specifications

Fireplace Type	Two-sided built-in bioethanol fireplace
Fuel	Bioethanol, max. 97.5% alcohol
Weight	35 kg.
Materials	Stainless Steel, Tempered Glass
Size	Height: 700 / Width: 1500 / Depth: 412 mm.
Colour	Black
Burner type	Automatic
Capacity	5.7 liter
Adjustable flame	No
Burn time	Up to 7 hours
Requires electricity	Yes
Heat effect	6.20 kW/h

## Pictures



## Technical Drawings



[www.biofireplacegroup.com](http://www.biofireplacegroup.com)

Date of publication: 08/10-2018