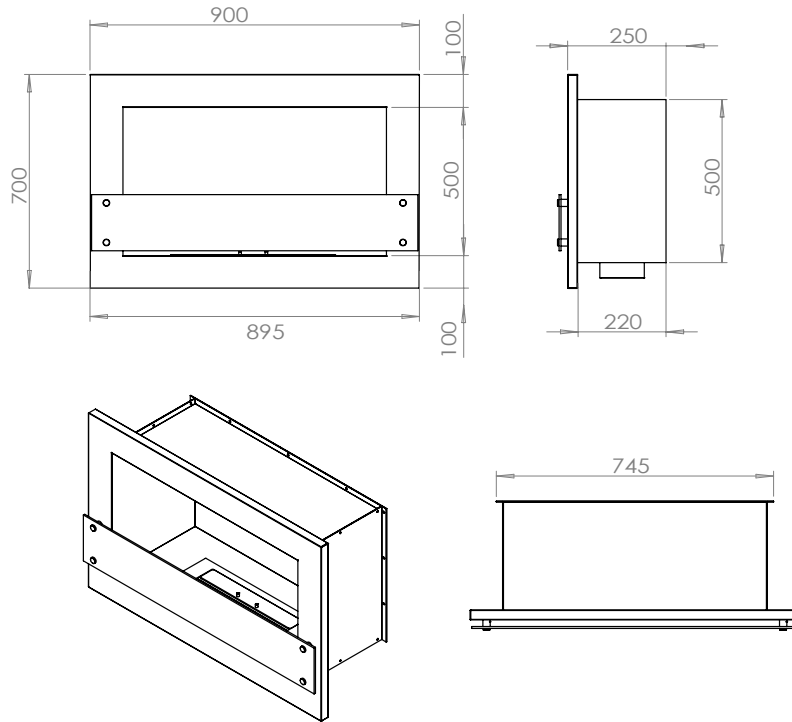




# BIO-30-005B

## Built-in Bioethanol Fireplace



### TECHNICAL SPECIFICATIONS

Type	Built-in Bioethanol Fireplace
Size	<b>Height:</b> 700 mm <b>Width:</b> 900 mm / <b>Depth:</b> 250 mm
Materials	Steel
Weight	Approx. 27 kg
Burner	Adjustable Manuel bioethanol burner (Burner width: 45 mm / Flame width: 320 mm)
Capacity	2.5 Liter
Usage	Approx 0.33 L/h - Up to 7h30m per filling
Fuel	Bioethanol (Recommended 96,6% alcohol)
Colour	Black
Heat Output	2.17 kW
Electricity	No