

BIO-30-004 // 135 cm Built-in Bioethanol Fireplace

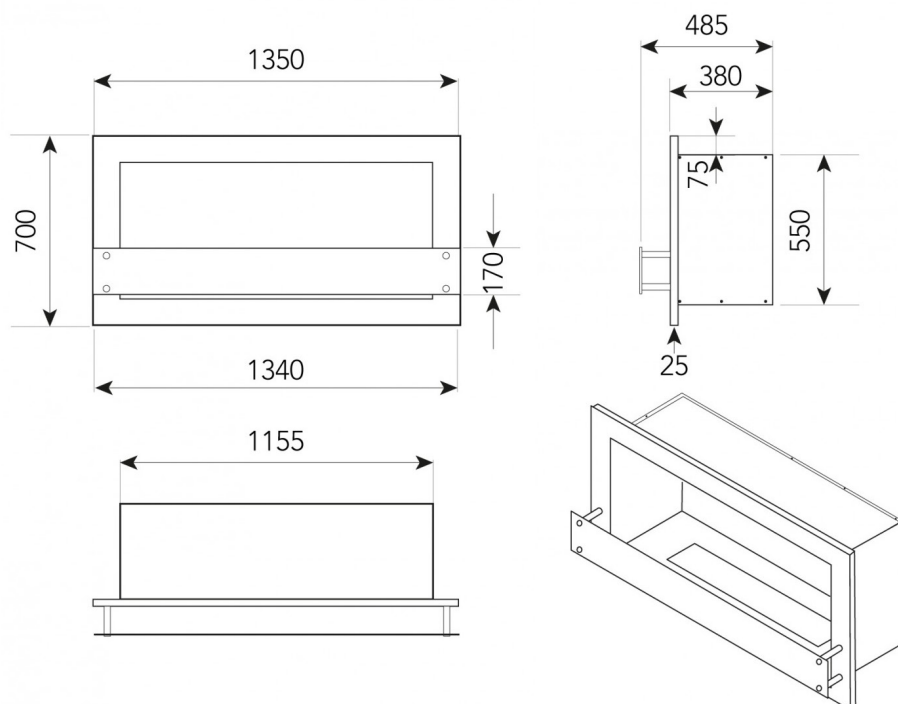
Technical Specifications

Fireplace Type	Built-in bioethanol fireplace
Fuel	Bioethanol, max. 97.5% alcohol
Weight	29.5 kg.
Materials	Stainless Steel, Tempered Glass
Size	Height: 700 / Width: 1350 / Depth: 485 mm.
Colour	Steel
Burner type	Manual
Capacity	4.0 liters
Adjustable flame	Yes
Burn time	Up to 6h30m
Requires electricity	No
Heat effect	4.7 kW/h

Pictures



Technical Drawings



www.biofireplacegroup.com

Date of publication: 24/09-2018