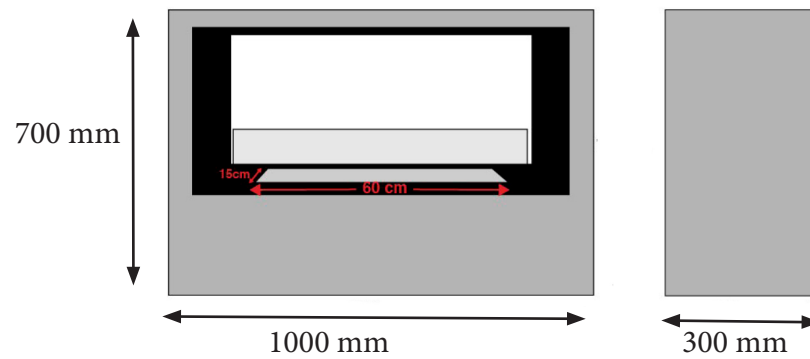
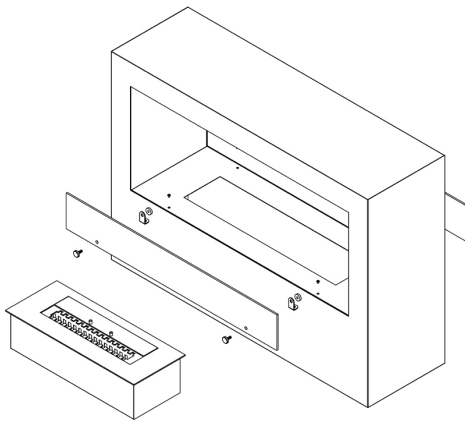




## BIO-20-213



### TECHNICAL SPECIFICATIONS

Type	Freestanding Bioethanol Fireplace
Size	<b>Height:</b> 700 mm / <b>Width:</b> 1000 mm / <b>Depth:</b> 300 mm
Materials	Steel and glass
Weight	Approx. 36,5 kg.
Burner	Adjustable manuel bioethanol burner (Burner width: 600 mm / Flame width: 450 mm)
Capacity	3,5 Liter
Usage	Approx 0,46 L/h - Up to 7,5 hours per filling
Fuel	Bioethanol (Recommended 96,6% alcohol)
Colour	White
Heat Output	3,28 kW
Electricity	No