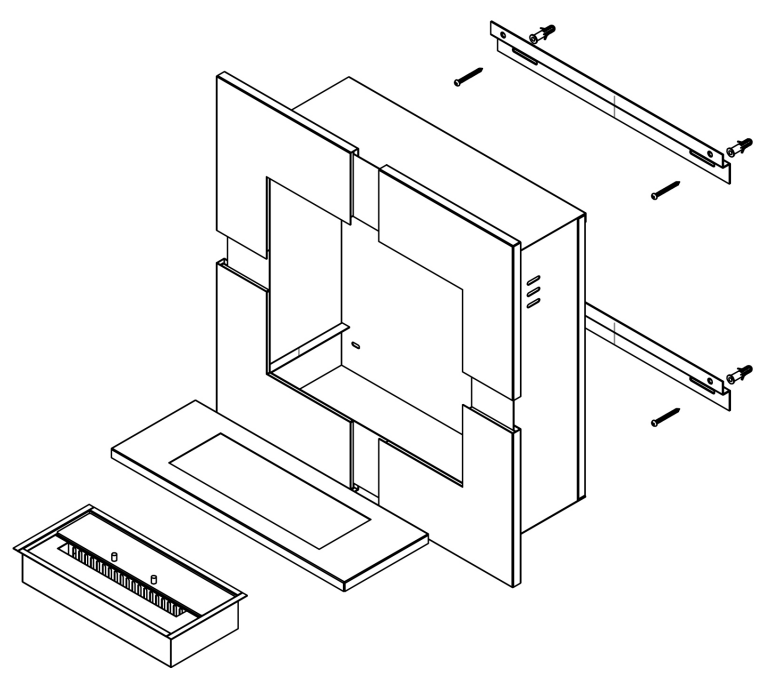




# BIO-10-027



## TECHNICAL SPECIFICATIONS

Type	Wall-mounted bioethanol fireplace
Size	<b>Height:</b> 600 mm / <b>Width:</b> 600 mm / <b>Depth:</b> 200 mm
Materials	Steel
Weight	Approx. 15 kg.
Burner	Adjustable Manuel burner (Burner width: 200 mm / Flame width: 140 mm)
Capacity	1 Liter
Usage	Approx 0.2 L/h - Up to 5 hours per filling
Fuel	Bioethanol (Recommended 96,6% alcohol)
Colour	Steel and black
Heat Output	2,17 kW
Electricity	No