

# OWNER'S MANUAL

■ AV-WM36IMP

■ AV-WM43IMP

■ AV-WM50IMP

■ AV-WM60IMP

■ AV-WM72IMP

Polski s. 19



**IMPERIAL 36"/43"/50"/60"/72"Wall Mounted & Built-in  
Electric Fireplace  
AC 220V-240V 50Hz 1400-1600 W**

## **⚠ WARNING**

**Read and understand** this entire owner's manual, including **all safety information**, before plugging in or **using** this product. Failure to do so could result in **fire, electric shock, or serious personal injury.**

## **⚠ CAUTION**

**Keep this owner's manual** for future reference. If you sell or give this product away, **make sure this manual accompanies this product.**

# IMPORTANT SAFETY INFORMATION!

## WARNING

**When using electrical appliances basic precautions should always be followed to reduce the risk of fire, electric shock and injury to persons, including the following:**

- Read all instructions before using this heater.
- This heater is hot when in use. To avoid burning, do not touch hot surface. If provided, use handles when moving this heater. Keep combustible materials, such as furniture, pillows, bedding, papers, clothes, and curtains at least 1 m from the front of the heater and keep them away from the sides and rear. In order to avoid overheating, do not cover the heater.
- Extreme caution is necessary when any heater is used near children or the infirm and whenever the heater is left operating and unattended.
- Always unplug heater when not in use.
- Do not operate any heater with a damaged cord or plug or after the heater malfunctions, has been dropped damaged in any manner, return heater to authorized service facility for examination, electrical or mechanical adjustment, or repair.
- Indoor use only, do not use outdoors.
- This heater is not intended for use in bathrooms, laundry areas and similar indoor locations. Never locate heater where it may fall into a bathtub or other water container.
- Do not run cord under carpeting. Do not cover cord with throw rugs, runners, or similar coverings. Arrange cord away from traffic area and where it will not be tipped over.
- To disconnect heater, turn controls to off, then remove plug from outlet.
- Do not inset or allow foreign objects to enter any ventilation or exhaust opening as this may cause an electric shock or fire, or damage the heater.
- To prevent a possible fire, do not block air intakes or exhaust in any manner. Do not use on soft surfaces, like a bed, where openings may become blocked.
- A heater has hot and arcing or sparking parts inside. Do not use it in areas where gasoline, or flammable liquids are used or stored.
- Use this heater only as describes in this manual. Any other use not recommended by the manufacturer may cause fire, electric shock, or injury to persons.
- DANGER-HIGH Temperatures may be generated under certain abnormal conditions. Do not partially or fully cover or obstruct the front of this heater.
- Replacement of the lamps should be done only while the heater is disconnected from the supply circuit.
- This appliance is not intended for use by persons (including children) with reduced physical, sensory or capabilities, or lack of experience and knowledge, unless they have been given supervision or instruction concerning use of the appliance by a person responsible for their safety. Children should be supervised to ensure that they do not play with the appliance.
- CAUTION: In order to avoid a hazard due to inadvertent resetting of the thermal cut-out, this appliance must not be supplied through an external switching device, such as a timer, or connected to a circuit that is regularly switched on and off by the utility.

# Preparation

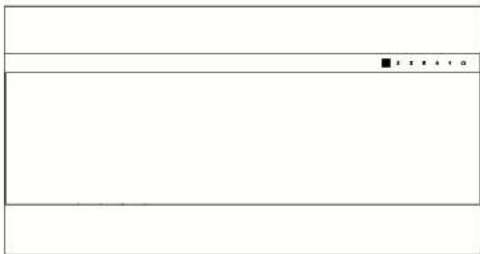

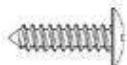
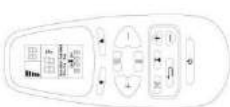


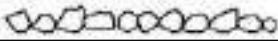




This product includes a **GLASS panel!** Always use **extreme caution** when handling **glass**. Failure to do so could result in **personal injury** or **property damage**.

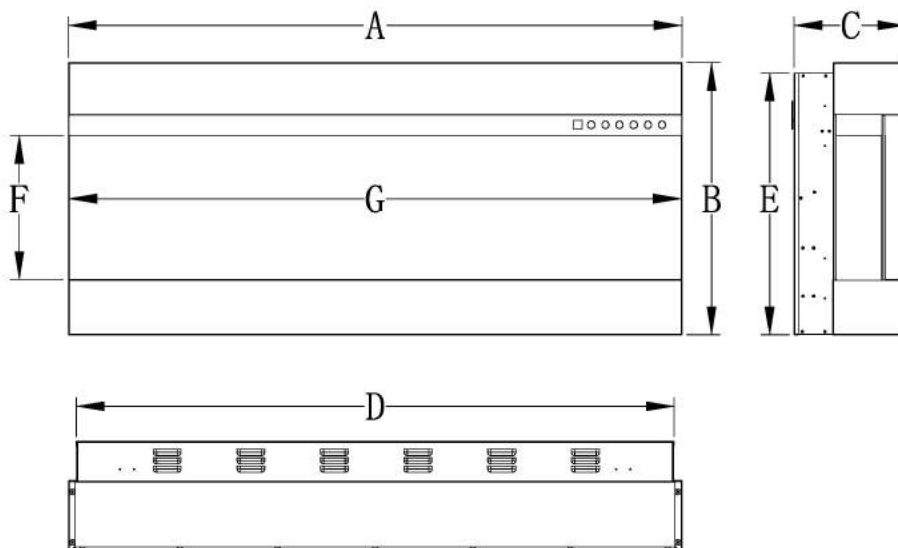
Remove all parts and hardware from the carton and place them on a clean, soft, dry surface. Parts and assembly steps are grouped for wall-hanging or recessing use. Check the parts list to make sure nothing is missing. Dispose of packaging materials properly. Please recycle whenever possible.

**You will need the following tools (not included):** Phillips screwdriver; stud finder; level; tape measure; electric drill; 1/4" wood drill bit, hammer.

# Parts and Hardware

 <b>A – Fireplace</b>	 <b>B – Wood Screws</b>	 <b>C – Drywall anchors</b>
	 Remote Control	 <b>E-Metal bracket (Bottom-Short one)</b>
 <b>G-Wall Bracket</b> Fixed on back of firebox	 <b>H-Decorative Crystals</b>	 <b>I - Log set</b>
		 <b>J - Plastic Tray</b>

# Specification and Dimension



PRODUCT DIMENSIONS							
Model Number	A	B	C	D	E	F	G
AV-WM36IMP	36.6" 93cm	19.1" 48.4cm	7.9" 20cm	35.5" 90.2cm	18.3" 46.56cm	10.1" 25.61cm	36.4" 92.57cm
AV-WM43IMP	43.3" 110.2cm	19.1" 48.4cm	7.9" 20cm	42.2" 107.22cm	18.3" 46.56cm	10.1" 25.61cm	43.1" 109.6cm
AV-WM50IMP	50" 127cm	19.1" 48.4cm	7.9" 20cm	48.9" 124.2cm	18.3" 46.56cm	10.1" 25.61cm	49.8" 126.57cm
AV-WM60IMP	60" 152.4cm	19.1" 48.4cm	7.9" 20cm	58.9" 149.6cm	18.3" 46.56cm	10.1" 25.61cm	59.8" 151.97cm
AV-WM72IMP	72" 182.8cm	19.1" 48.4cm	7.9" 20cm	70.9" 180cm	18.3" 46.56cm	10.1" 25.61cm	71.8" 182.37cm

## Installation and Assembly

Your appliance is a wall-mounted, recessed and/or mantel installed appliance. Select a suitable location that is not susceptible to moisture and is away from drapes, furniture and high traffic areas.

**NOTE: Follow all National and local electrical codes.**

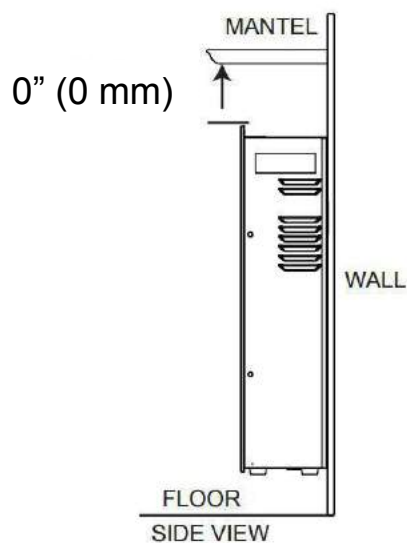
### MINIMUM CLEARANCE TO COMBUSTIBLES

Measurements are taken from the glass front.			
Bottom	0"	Top	0" to mantel
Sides	0"	Top	0" to ceiling
Back	0"		

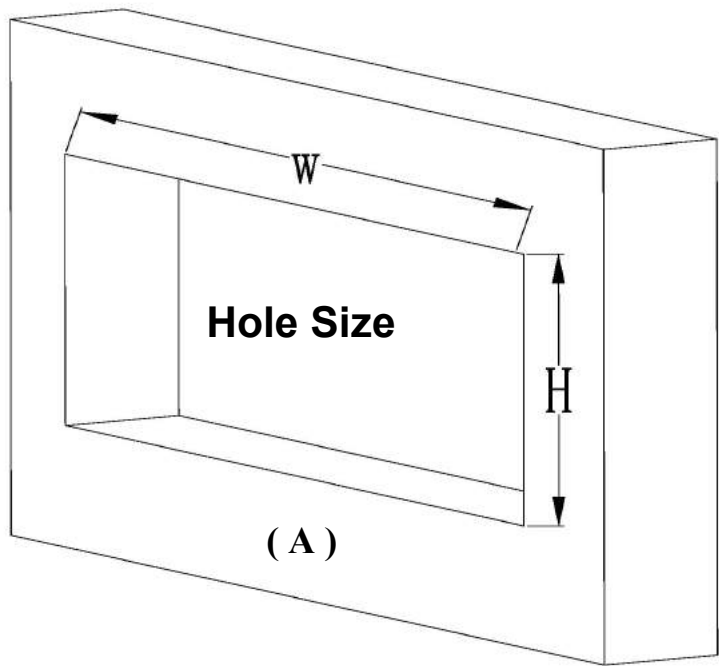
### MINIMUM MANTEL CLEARANCES

## WARNING

WHEN USING PAINT OR LACQUER TO FINISH THE MANTEL, THE PAINT OR LACQUER MUST BE HEAT RESISTANT TO PREVENT DISCOLOURATION.



# Recessed To Wall Installation

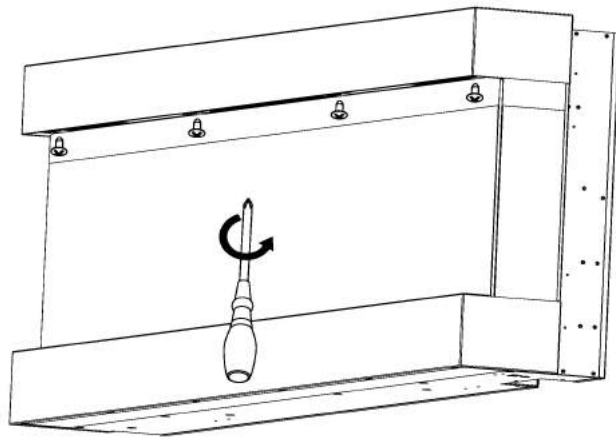


**STEP A.** Selection a dry wall to open a hole for fireplace box. Size of hole as below chart **Figure ( A )**

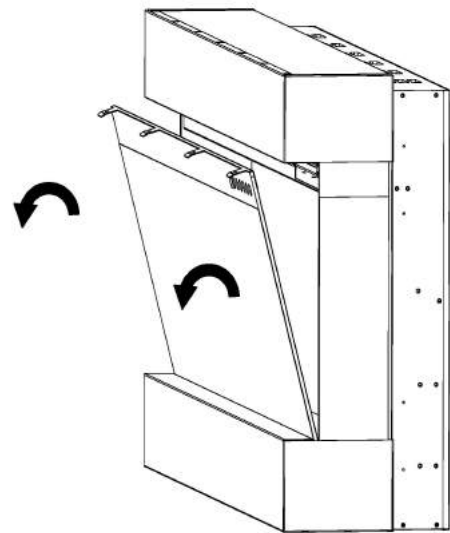
Framing Hole Size		
Model Number	W	H
AV-WM36IMP	35.9" (91.2CM)	18.84" (47.86CM)
AV-WM43IMP	42.71" (108.3CM)	18.84" (47.86CM)
AV-WM50IMP	49.29" (125.2CM)	18.84" (47.86CM)
AV-WM60IMP	59.29" (150.6CM)	18.84" (47.86CM)
AV-WM72IMP	71.25" (181CM)	18.84" (47.86CM)

**STEP B.** Using the screw driver to take off the screws from the front **Figure (B)**

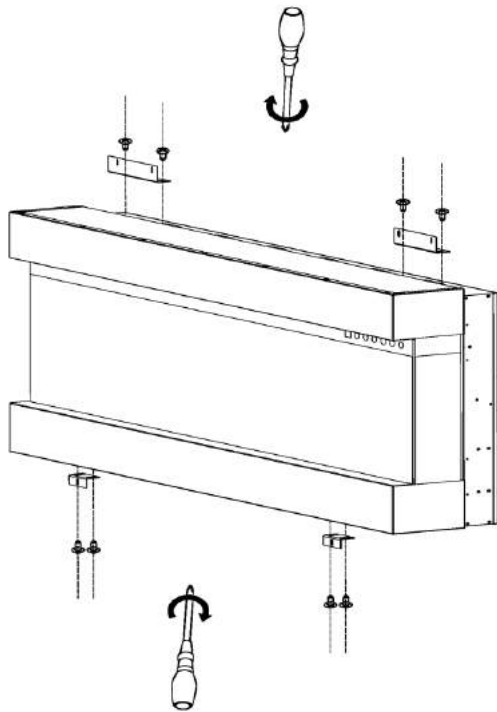
**STEP C.** Have two adult people to pull of the glass panel and take it out **Figure (C)**



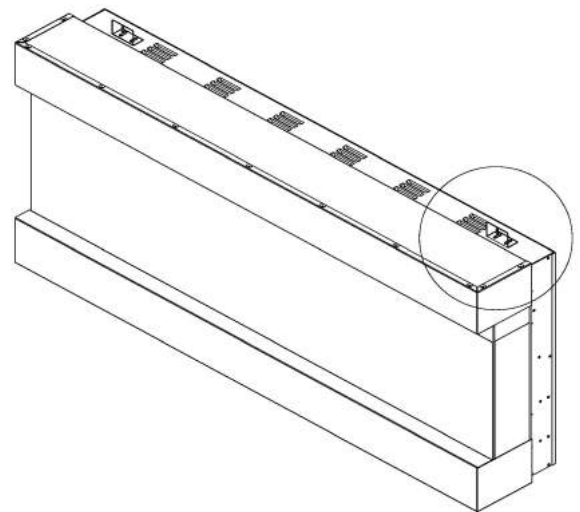
(B)



(C)



(D)

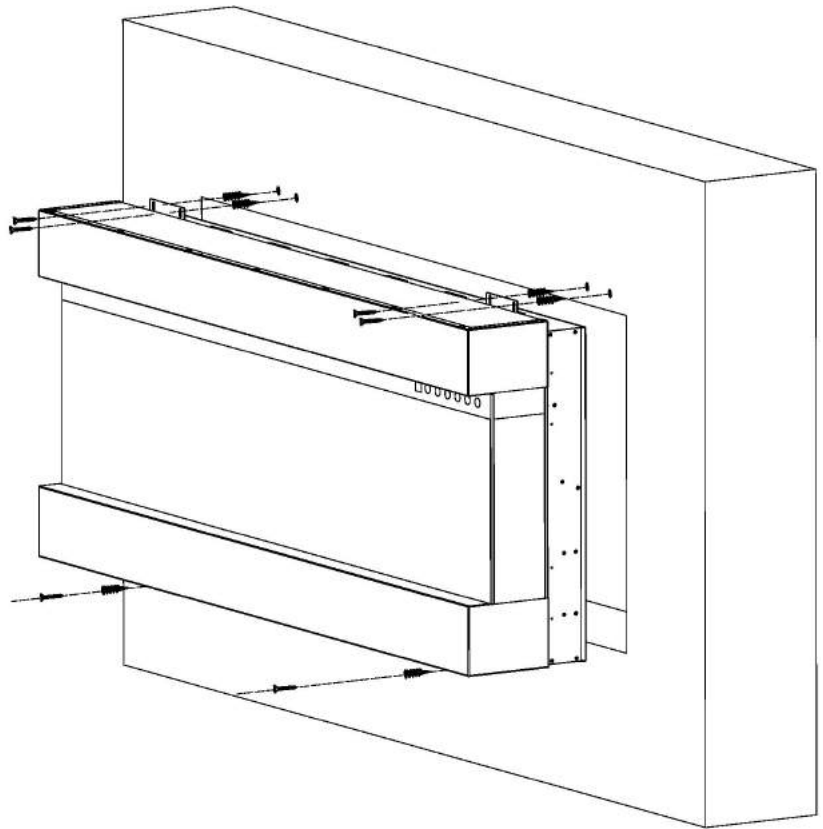


(E)

**STEP D.** Fix the metal brackets (E) to the **BOTTOM** and (F) to the **TOP** of the fireplace box. **Figure (D,E)**

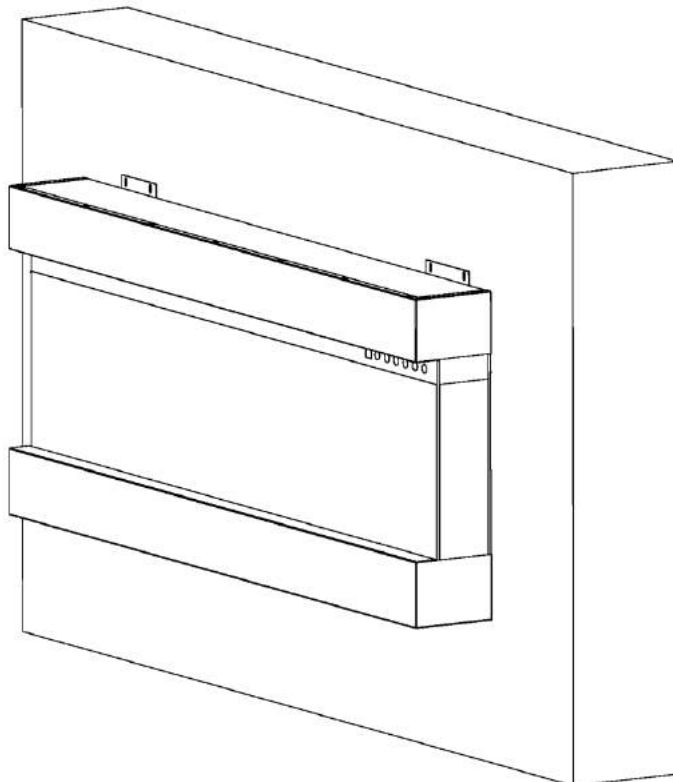
**NOTE:** Metal brackets can be use as movable, please adjust to the best location as need

**STEP E.** Have two adult people to lift of the fireplace box and put it inside of the wall opening hole. Using the screw driver to fix all wood screws and drywall anchors through the metal brackets to the wall and fixing tightly.  
NOTE: Making sure that all screws and drywall anchors are well screwed.



( F )

**STEP F.** Your Electric fireplace will be looks as below after installation



## Wall Mounted Installation

Due to the many different materials used on different walls, it is highly recommended that you consult your local builder before you install this appliance on the wall.

**A.** Select a location that is not prone to moisture and is located at least 36" (914mm) away from combustible materials such as curtain drapes, furniture, bedding, paper, etc.

**B.** Have two people hold the appliance against the wall to determine the final location.

**C.** Place unit face down on a soft, non abrasive surface. Remove the bracket from the back of the unit by removing the screws, refer to Figure 1.

**D.** Mark out location, then mount the bracket(s) onto the wall using the supplied screws. This bracket

MUST have the hooks facing upward and be level. **NOTE: It is strongly**

**recommended that the mounting bracket (G) be**

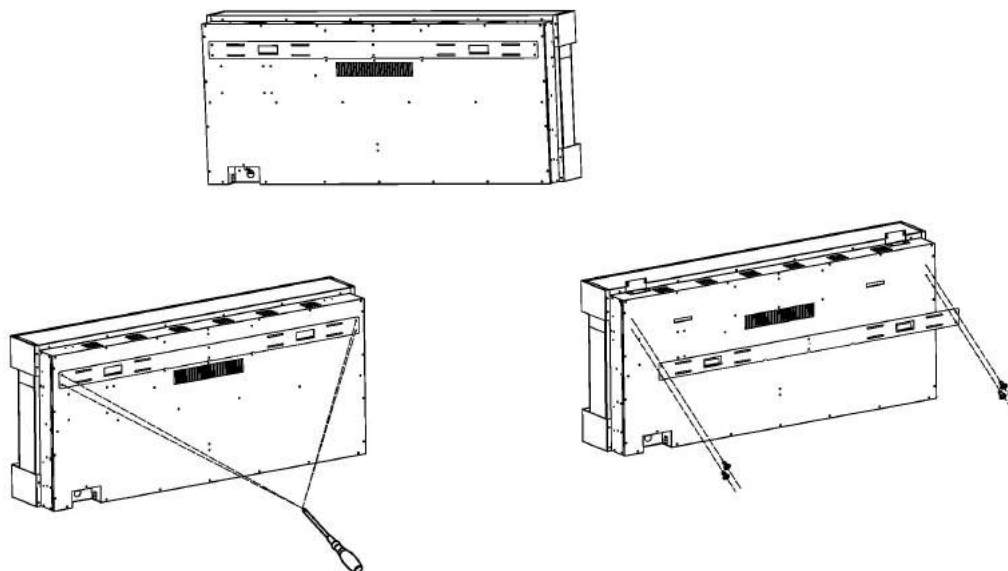
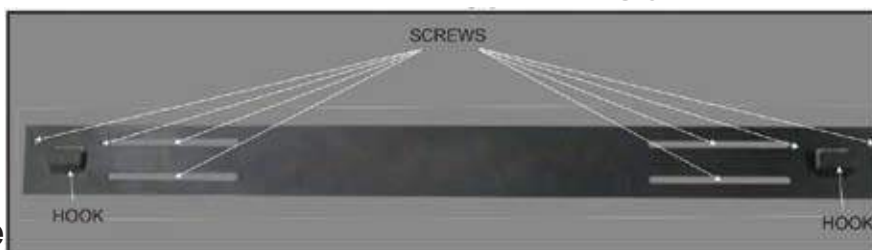
**Screwed into the wall studs**  
**Where possible. If the wall**  
**Studs cannot be used, ensure**

**That the supplied plastic anchors are used to affix the bracket to the wall and**  
**the bracket is adequately secured.**

**E.** With the wall mounting bracket installed have two people lift the appliance up and insert the two hooks

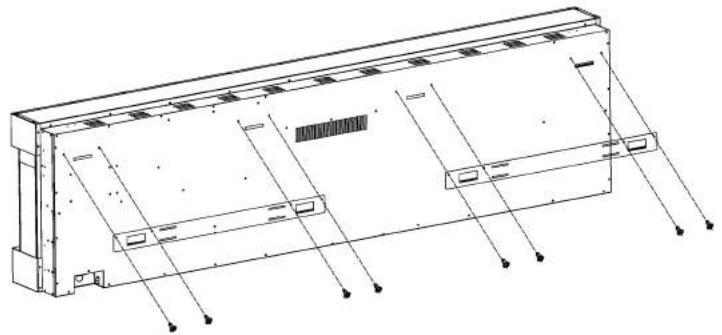
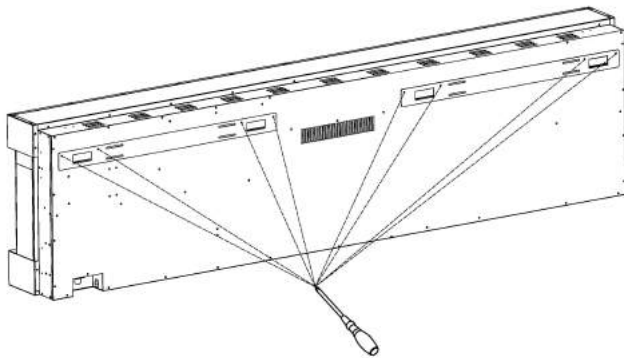
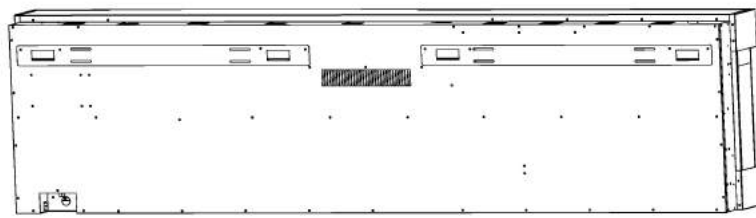
on the bracket into the two slots on the back of the appliance.

**F.** Check the appliance for stability ensuring that the bracket will not pull free from the wall.



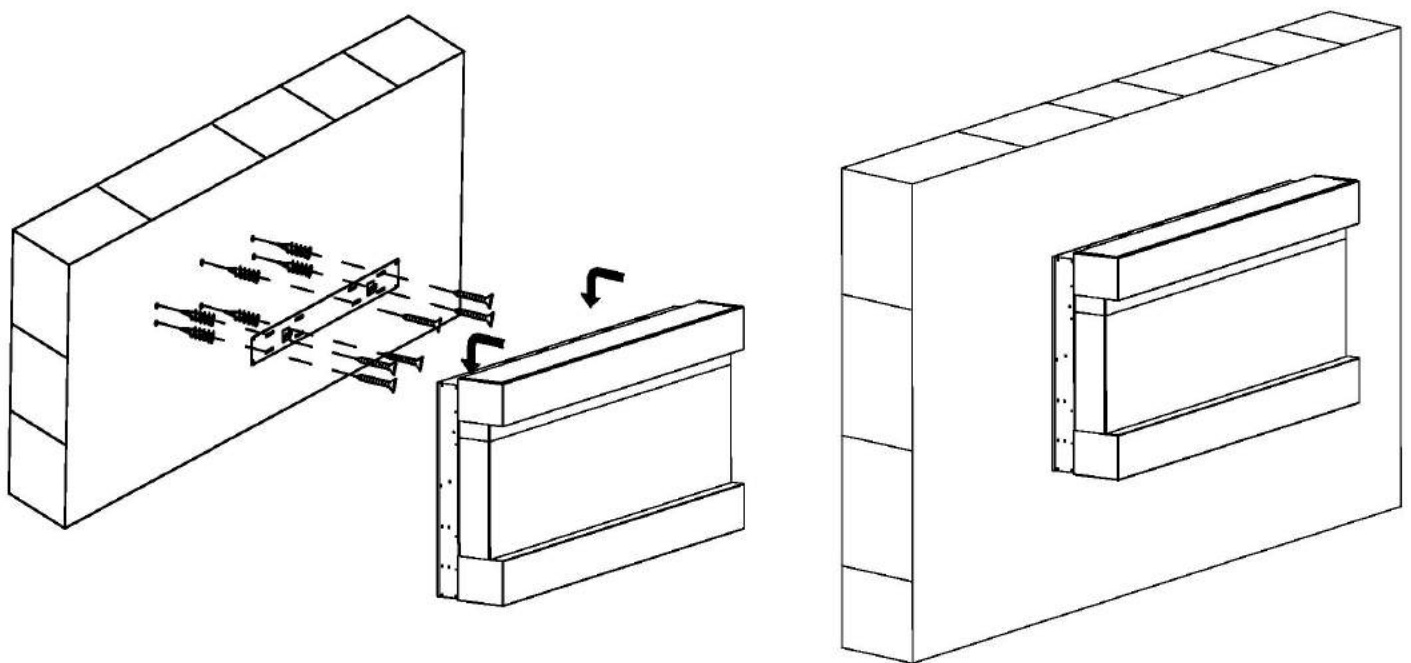
AV-WM36-50IMP Wall Bracket Illustrated





AV-WM60-72IMP Wall Bracket Illustrated

**G. Your Electric fireplace will be looks as below after installation**



# Log-set / Crystal Ember Installation

(NOTE: Please make the installation according to the embers which you bought or selected.)

- A. Glass front must be removed and the appliance must be mounted in its final location before the log-set / crystal / embers are installed.
- B. If your fireplace come with log-set, take the log-set out of the package and put it to the fireplace media slot . **Figure 1.**
- C. To switch to Crystals, firstly take the Log-set out of the fireplace slot, then Place the plastic tray ( J ) to the fireplace designed place. Then carefully place crystal embers into the plastic tray as illustrated. Apply an even layer from side to side. **Figure 2, Figure 3.**

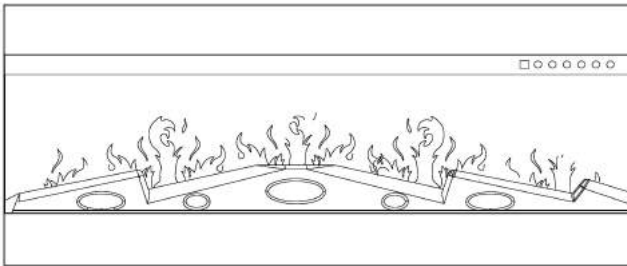


Figure 1

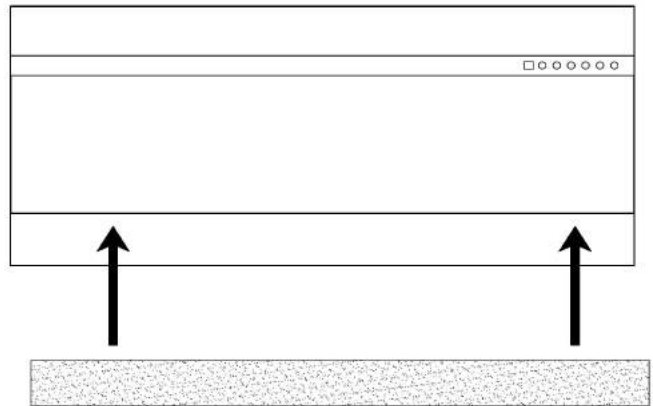


Figure 2



Figure 3. (Crystal medias)

# Operation



Read and understand this entire owner's manual, including **all safety information**, before plugging in or **using** this product. Failure to do so could result in **electric shock, fire, serious injury, or death.**

## Power

Plug the power cord into a AC 220-240 Volt outlet (see **IMPORTANT SAFETY INFORMATION** on **Pages 2 and 3**). Make sure the outlet is in good condition and that the plug is not loose. **NEVER** exceed the maximum amperage for the circuit. **DO NOT** plug other appliances into the same circuit.

## Methods of Operation




This electric fireplace can be operated by the CONTROL PANEL/TOUCH PANEL, or by the battery-powered REMOTE CONTROL.

The operation and functions of the two methods are the same.

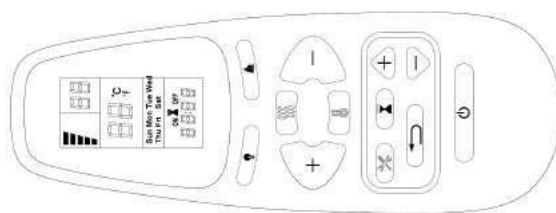
Before operating, please review the **IMPORTANT SAFETY INFORMATION** on **Pages 2 and 3**, and heed all warnings.




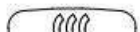
## Control Panel / Remote Control Operation

BUTTON	FUNCTION	ACTION & INDICATION
 <b>POWER</b>	<b>ON:</b> Enables control panel functions and remote control. Turns on flame effect. <b>OFF:</b> Disables control panel functions and remote control. Turns off flame effect.	<ol style="list-style-type: none"> <li><b>Press once.</b> Indicator light turns on. Power turns on. All functions enabled.</li> <li><b>Press again.</b> Flame effect turns off. Power and all functions turn off.</li> </ol>
 <b>TIMER</b>	<b>TIMER button:</b> Controls timer settings to turn off fireplace at selected time. Settings range from 0.5 hours to 8 hours.	<ol style="list-style-type: none"> <li><b>Press once.</b> Indicator light turns on. Timer is set to 0.5 hours.</li> <li><b>Press again until desired setting is reached.</b> Display window shows setting.</li> </ol>
 <b>FLAME</b>	<b>FLAME button:</b> Makes flame effect dimmer and brighter. <b>NOTE:</b> Flame effect stays on until power button is turned off. Flame effect must be on for heater to turn on.	<ol style="list-style-type: none"> <li><b>Press once.</b> Indicator light turns on. Flame brightness effect gets changing.</li> <li><b>Press again.</b> until desired setting is reached.</li> </ol>


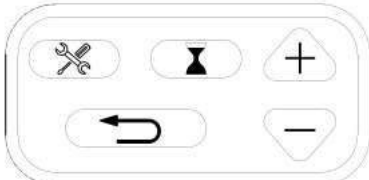
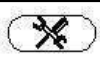


 <p><b>COLOR</b></p>	<p><b>COLOR button:</b> Makes the color flame effect changing.</p> <p><b>NOTE:</b> color effect stays on until power button is turned off. Color flame effect must be on for heater to turn on.</p>	<ol style="list-style-type: none"> <li><b>Press once.</b> Indicator light turns on. Flame color effect gets changing.</li> <li><b>Press again</b> until desired setting is reached. Display window shows setting.</li> </ol>
 <p><b>HEATER</b></p>	<p><b>HEATER button:</b> Turns heater on and off.</p> <p><b>NOTE:</b> The heater only works when the flame effect is on. If the flame effect is off, the heater will not turn on.</p> <p><b>NOTE:</b> To prevent overheating, the heater blows cool air for 10 seconds before the heater turns on, and after it turns off.</p>	<ol style="list-style-type: none"> <li><b>Press once.</b> Indicator lights up. Fan blows cool air for 10 seconds. Low heater turns on and blows warm air.</li> <li><b>Press again.</b> Indicator lights up. High heater turns on and blows hot air.</li> <li><b>Press again.</b> Heaters turn off. The fan blows cool air, then turns off.</li> </ol>
	<p><b>LED Ember light button ( 1 ):</b> Makes the color on bottom effect changing.</p> <p><b>NOTE:</b> Ember color effect stays on until power button is turned off.</p>	<ol style="list-style-type: none"> <li><b>Press once.</b> Ember color effect gets changing.</li> <li><b>Press again.</b> until desired setting is reached, in total 10 colors recycling.</li> </ol> <p><b>Note:</b> When you press the button with 11<sup>th</sup> time, the ember light will doing auto cycle.</p>

## Remote Control Operation

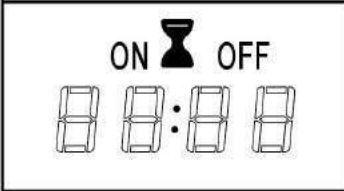


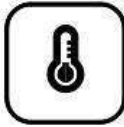
BUTTON	FUNCTION	ACTION & INDICATION
 <b>POWER</b>	<b>ON:</b> Enables control panel functions and remote control. Turns on flame effect. <b>OFF:</b> Disables control panel functions and remote control. Turns off flame effect.	1. <b>Press once.</b> Indicator light turns on. Power turns on. All functions enabled. 2. <b>Press again.</b> Flame effect turns off. Power and all functions turn off.
	<b>COLOR button:</b> Makes the color flame effect changing. <b>NOTE:</b> color effect stays on until power button is turned off. Color flame effect must be on for heater to turn on.	3. <b>Press once.</b> Indicator light turns on. Flame color effect gets changing. 4. <b>Press again</b> until desired setting is reached. Display window shows setting.
	<b>FLAME button:</b> Makes flame effect dimmer and brighter. <b>NOTE:</b> Flame effect stays on until power button is turned off. Flame effect must be on for heater to turn on.	1. <b>Press once.</b> Indicator light turns on. Flame brightness effect gets changing. 2. <b>Press again.</b> until desired setting is reached.
 <b>HEATER</b>	<b>HEATER button:</b> Turns heater on and off. <b>NOTE:</b> The heater only works when the flame effect is on. If the flame effect is off, the heater will not turn on. <b>NOTE:</b> To prevent overheating, the heater blows cool air for 10 seconds before the heater turns on, and after it turns off.	1. <b>Press once.</b> Indicator lights up. Fan blows cool air for 10 seconds. Low heater turns on and blows warm air. 2. <b>Press again.</b> Indicator lights up. High heater turns on and blows hot air. 3. <b>Press again.</b> Heaters turn off. The fan blows cool air, then turns off.

## TIMER SETTINGS ON REMOTE CONTROL








 : <b>Timer:</b> Displays current day, time, and week. Press to enter or confirm timer settings.	
 : <b>Settings:</b> Press to move to next step (use with Timer button). Press to confirm week timer.	
 : <b>Back:</b> Press to clear timer settings. Press to return to the previous step (use with Settings button).	
 : <b>Up and Down</b> (use with Settings button).	

### LCD Screen





<b>Weekday</b> → Mon, Tues, Wed, Thurs, Fri, Sat, Sun	<b>Sun Mon Tue Wed</b> <b>Thu Fri Sat</b>	<p><b>Note:</b> The functions can only be adjusted when the related letters or digits are flashing.</p> <p><b>Note:</b> Calibrate the timer to current time before the weekly settings.</p>
<b>Time Display</b> →		
Current Time / Timer From 00: 00 to 24 NOTE: 00-12:00 is AM / 13:00-24:00 is PM		

 <b>TEMP</b>	<p><b>TEMPERATURE button:</b> Turns heater on and off.</p> <p><b>NOTE:</b> Press &amp; Hold the button for 5 seconds, the temperature setting will switch from °C to °F. Same way from °F to °C.</p>	<p>1. <b>Press once:</b> Indicator lights up. Temperature goes to 18 °C</p> <p>2. <b>Press again:</b> until desired setting is Reached. Digital display shows setting circles as below:</p>																																																								
	<table border="1"> <tr><td>NO</td><td>0</td><td>1</td><td>2</td><td>3</td><td>4</td><td>5</td><td>6</td><td>7</td><td>8</td><td>9</td><td>10</td><td>11</td><td>12</td></tr> <tr><td>°C</td><td>18</td><td>19</td><td>20</td><td>21</td><td>22</td><td>23</td><td>24</td><td>25</td><td>26</td><td>27</td><td>28</td><td>29</td><td>30</td></tr> <tr><td>°F</td><td>64</td><td>66</td><td>68</td><td>70</td><td>72</td><td>74</td><td>76</td><td>78</td><td>80</td><td>82</td><td>84</td><td>86</td><td>88</td></tr> <tr><td></td><td>65</td><td>67</td><td>69</td><td>71</td><td>73</td><td>75</td><td>77</td><td>79</td><td>81</td><td>83</td><td>85</td><td>87</td><td></td></tr> </table>	NO	0	1	2	3	4	5	6	7	8	9	10	11	12	°C	18	19	20	21	22	23	24	25	26	27	28	29	30	°F	64	66	68	70	72	74	76	78	80	82	84	86	88		65	67	69	71	73	75	77	79	81	83	85	87		
	NO	0	1	2	3	4	5	6	7	8	9	10	11	12																																												
°C	18	19	20	21	22	23	24	25	26	27	28	29	30																																													
°F	64	66	68	70	72	74	76	78	80	82	84	86	88																																													
	65	67	69	71	73	75	77	79	81	83	85	87																																														

### 1 Set current day and time






1. Press  once. When "MON" (Monday) begins flashing, use  to select the current day.
2. Press . When the hour digits begin flashing, use  to select the current hour.
3. Press  again. When the minute digits begin flashing, use  to select the current minute.
4. Press  again. The current time is now set.

## 2 Set ON/OFF time and temperature on a weekly cycle

1. Press . When "MON" begins flashing, press  3 times. When "ON" begins flashing, use  to select the desired hour and minute to turn on the heater. Press  at any time to clear the digits and shut down "ON" timer.









### note:

The timer can only be adjusted in 30-minute increments (i.e. 00:00 - 00:30; 00:30 - 01:00, etc.)

2. Press . When "OFF" begins flashing, use  to select the desired hour and minute to turn off the heater. Press  at any time to clear the digits and shut down "OFF" timer.
3. Press  again. When "18" begins flashing, use  to select the desired temperature for Monday.

### note:

If the temperature was previously set, those digits will be shown instead of "18".

4. Press  again. When "TUES" appears on the screen and "ON" begins flashing, use  to select the desired hour and minute to turn on the heater for Tuesday.
5. Press  again. When "OFF" begins flashing, use  to select the desired hour and minute to turn off the heater for Tuesday.
6. Press  again. When "18" begins flashing, use  to select the desired temperature for Tuesday.
7. Repeat steps 1 to 6 to set the "ON/OFF" time and temperature for Wednesday, Thursday, Friday, Saturday, and Sunday.
8. Press  or  to complete programming, ensuring to aim the remote control at the receiver, located in the middle of the appliance. The appliance will "beep" once to confirm that programming has been successful.

## Open window warning

If the room temperature decreases by 10 degrees within 3 minutes, the appliance will assume there is an open window nearby. In order to conserve energy, the heater will automatically switch from High Heat to Low Heat, or if the heater is already at Low Heat, it will turn off completely.

When switching from High Heat to Low Heat, the appliance will beep 3 times and the digital display will flash "88" 3 times before displaying the existing heating status.

When switching from Low Heat to Off, the appliance will beep 3 times and the digital display will flash "88" continuously.

To reset the heating function, see "operating remote control" section.

## NOTICE

When the heater is first turned on, a slight odor may be present. This is normal and should not occur again unless the heater is not used for a long period of time.

## NOTICE

To improve operation, **aim** the remote control at the front of the fireplace. **DO NOT press the buttons too quickly.** Give the unit time to respond to each command.

## Temperature Limiting Control

This heater is equipped with a Temperature Limiting Control. Should the heater reach an unsafe temperature, the heater will automatically turn OFF. To reset:

1. Unplug the power cord from the outlet.
2. Turn the ON/OFF switch on the CONTROL PANEL to OFF. **Wait 5 minutes.**
3. Inspect the fireplace to make sure no vents are blocked, or clogged with dust or lint. If they are, use a vacuum to clean the vent areas.
4. With the POWER switch in the OFF position, plug the power cord back into the outlet.
5. If the problem continues, have your outlet and wiring inspected by a professional.

## Remote Control Battery Information

This remote control uses two **AAA** batteries (**Not Included**)



**NEVER** dispose of batteries in **fire**. Failure to observe this precaution **may result in an explosion**. Dispose of batteries at your local hazardous material processing center.



# Care and Maintenance

## Cleaning



**ALWAYS** turn the heater **OFF** and **unplug the power cord from the outlet** before cleaning, performing maintenance, or moving this fireplace. Failure to do so could result in **electric shock, fire, or personal injury**.



**NEVER** immerse in water or **spray with water**. Doing so could result in **electric shock, fire, or personal injury**.

### Metal:

- Buff using a soft cloth, slightly dampened with a citrus oil-based product.
- **DO NOT** use brass polish or household cleaners as these products will damage the metal trim.

### Glass:

- Use a good quality glass cleaner sprayed onto the cloth or towel. Dry thoroughly with a paper towel or lint-free cloth.
- **NEVER** use abrasive cleansers, liquid sprays, or any cleaner that could scratch the surface.

### Vents:

- Use a vacuum or duster to remove dust and dirt from the heater and vent areas.

### Plastic:

- Wipe gently with a slightly damp cloth and a mild solution of dish soap and warm water.
- **NEVER** use abrasive cleansers, liquid sprays, or any cleaner that could scratch the surface.

## Maintenance



**Risk of electric shock! DO NOT OPEN any panels ! No user-serviceable parts inside!**



**ALWAYS** turn the heater **OFF** and **unplug the power cord from the outlet** before cleaning, performing maintenance, or moving this fireplace. Failure to do so could result in **electric shock, fire, or personal injury**.

### Electrical and Moving Parts:

- The fan motors are lubricated at the factory and will not require lubrication.
- Electrical components are integrated in the fireplace and are not serviceable by the consumer.

### Storage:

- Store heater in a clean dry place when not in use.



**WARNING! NO SERVICING** of the internal or electrical parts should be performed by the consumer. Do not service the unit yourself.

# Troubleshooting

## **WARNING**

**DISCONNECTED THE APPLIANCE COMPLETELY AND LET COOL PRIOR TO ANY SERVICE.  
ONLY A QUALIFIED SERVICE PERSON SHOULD SERVICE AND REPAIR THIS ELECTRIC APPLIANCE.**

<b>Problem</b>	<b>Possible Cause</b>	<b>Solution</b>
1. Fireplace turns off and will not turn on.	1. Fireplace has overheated and safety device has caused thermal switch to disconnect or home circuit breaker has opened.	1. Reset switch by turning main power switch off and waiting 10 minutes then turning it back on or reset circuit breaker.
2. Flame is not moving.	1. Loose wiring. 2. Flame motor defective.  3. Flame rod out of place	1. Inspect wiring for loose connections. 2. Call a qualified service technician to replace flame motor. 3. "Flame Rod" out of place due to rough transit/handling of the product. This issue can be corrected as simple as removing the glass, flipping the fireplace upside down, removing a set of screws that are holding the bottom frame plate and placing the flame rod back into place.
3. Flame is not visible.	1. Wiring is loose.	1. Disconnect from power source and inspect wiring for loose connections and repair or replace if necessary. 2. Push the flame button to high
4. Log set and/or is not glowing.	1. Wiring is loose. 2. Ember is in off mode	1. Disconnect from power source and inspect wiring for loose connections and repair or replace if necessary. 2. Push the ember button is high
5. Remote control does not work.	1. Low batteries.  2. Not aiming control correctly.  3. Defective remote control and /or sensor.	1. Replace batteries in remote control. 2. Aim control at sensor located directly behind glass screen in center of unit just above logs. 3. Replace remote control and/or sensor.
6. Fireplace will not come on when switch is flipped to ON.	1. Fireplace is not plugged in to an electrical outlet. 2. Control failure. 3. Breaker tripped.	1. Check plug. 2. Call a qualified service technician. 3. Reset breaker.

---

7. Heater does not provide heat when turned on.

1. Thermal switch has been tripped.

2. Wiring is loose.

3. Heater is defective.

1. Turn unit off and unplug unit for 10 minutes. Plug back in and turn unit on. If plug cannot be reached, follow directions for tripped circuit breaker.

2. Disconnect from power source and inspect wiring for loose connections and repair or replace if necessary.

3. Replace heater.

---

**CAUTION:**To remove the glass, you will notice two screws on front both sides (right and left) of the fireplace. Once the screws are removed, slide the glass up and away from the fireplace. Once the bottom frame plate is removed, you will notice one flame motor on right side where the rod should be in place with the rubber plugs.

Please remember to always have the unit disconnected prior to any work, always lay glass as well as the unit on a towel or other material not to damage parts/frame.

This entire process should not take longer than 20-30 minutes.

---

# INSTRUKCJA UŻYTKOWNIKA

■ AV-WM36IMP

■ AV-WM43IMP

■ AV-WM50IMP

■ AV-WM60IMP

■ AV-WM72IMP



**Elektryczny kominek ścienny / wkład  
IMPERIAL 36"/43"/50"/60"/72"**

**AC 220V-240V 50Hz 1400-1600 W**



**OSTRZE-  
ŻENIE**

Przed podłączeniem lub skorzystaniem z urządzenia, **przeczytaj ze zrozumieniem** całą instrukcję użytkownika, z uwzględnieniem **wszystkich informacji dotyczących bezpieczeństwa**. Niezastosowanie się do tego wymogu może skutkować **wzniesieniem ognia, porażeniem prądem lub poważnymi obrażeniami ciała**.



**UWAGA**

Zachowaj niniejszą instrukcję użytkownika w celu skorzystania z niej w przyszłości. W przypadku sprzedaży lub przekazania urządzenia, **należy koniecznie dołączyć do niego instrukcję**.



# WAŻNE INSTRUKCJE BEZPIECZEŃSTWA



## OSTRZEŻENIE

**Podczas korzystania z urządzeń elektrycznych, należy zawsze przestrzegać podstawowych środków ostrożności, aby zmniejszyć ryzyko pożaru, porażenia prądem i obrażeń osób, z uwzględnieniem poniższych wskazówek:**

- Przeczytaj wszystkie instrukcje przed użyciem tego urządzenia.
- Urządzenie nagrzewa się podczas pracy. Aby uniknąć oparzeń, nie dotykaj gorących powierzchni. Jeżeli są dostępne – używaj uchwytów w celu przenoszenia urządzenia. Trzymaj materiały palne takie jak meble, poduszki, pościel, dokumenty, ubrania i zasłony w odległości co najmniej 1 m od przodu urządzenia. Trzymaj wszystkie te przedmioty z dala od boków i tyłu urządzenia. Aby uniknąć przegrzania, nie okrywaj niczym urządzenia.
- Szczególną ostrożność należy zachować, gdy urządzenie grzewcze używane jest w pobliżu dzieci lub osób niepełnosprawnych oraz gdy pozostaje załączone bez nadzoru.
- Nieużywane urządzenie należy odłączyć od zasilania.
- Nie uruchamiaj urządzenia z uszkodzonym przewodem zasilającym lub wtyczką, bądź w przypadku usterki urządzenia, upadku z wysokości. Należy oddać urządzenie do autoryzowanego serwisu w celu zbadania, regulacji elektrycznej lub mechanicznej, lub naprawy.
- Urządzenie przeznaczone jest wyłącznie do użytku wewnątrz budynku.
- Nie używaj urządzenia w łazienkach, pralniach i podobnych pomieszczeniach. Nigdy nie umieszczaj urządzenia w miejscach gdzie może wpaść do wanny lub innego zbiornika z wodą.
- Nie prowadź przewodu zasilającego pod wykładziną. Nie zakrywaj przewodu dywanami, chodnikami oraz innymi wykładzinami. Prowadź przewód z dala od często uczęszczanych miejsc i tak, żeby nikt się o niego nie potknął.
- Aby odłączyć urządzenie, wygaś wszystkie kontrolki na „OFF”, a następnie wyjmij wtyczkę z gniazdka.
- Nie wkładaj i nie pozwól aby jakiegokolwiek przedmioty dostały się do otworów wentylacyjnych i nawiewu, gdyż może to spowodować porażenie prądem, pożar lub uszkodzenie urządzenia.
- Aby uniknąć ryzyka pożaru, nie blokuj wlotów i wylotów powietrza w jakikolwiek sposób. Nie używaj urządzenia na miękkich powierzchniach takich jak łóżko, gdzie otwory mogą zostać zablokowane.
- Kominek posiada wewnątrz elementy nagrzewające się oraz mogące wytwarzać iskry i łuki elektryczne. Nie używaj w miejscach przechowywania benzyny, farb lub innych łatwopalnych cieczy.
- Używaj kominka tylko w sposób przedstawiony w niniejszej instrukcji. Wszelkie inne zastosowania nie zalecane przez producenta, mogą spowodować pożar, porażenie prądem lub obrażenia osób.
- NIEBEZPIECZEŃSTWO – WYSOKIE temperatury mogą być generowane w nieprawidłowych warunkach pracy. Nie zakrywaj w całości lub częściowo przodu urządzenia grzewczego.
- Lampy można wymieniać wyłącznie po odłączeniu kominka od zasilania.
- Niniejsze urządzenie nie jest przeznaczone do użytku przez osoby (w tym dzieci) o obniżonej sprawności fizycznej, umysłowej lub czuciowej bądź nieposiadające odpowiedniej wiedzy albo doświadczenia, chyba że znajdują się one pod nadzorem osoby odpowiedzialnej za ich bezpieczeństwo lub zostały przez nią poinstruowane w zakresie użytkowania urządzenia. Należy zadbać o to, aby dzieci nie bawiły się urządzeniem.
- UWAGA: Aby uniknąć ryzyka spowodowanego niezamierzonym zresetowaniem termicznych wyłączników przeciążeniowych, kominka nie wolno podłączać do zewnętrznego urządzenia przełączającego, jak programator lub obwodu z układem cyklicznego załączania i wyłączania.

# Przygotowanie



Produkt ten wyposażony jest w **szklany panel!** Zawsze podczas przenoszenia **szkła** należy zachować **szczególną ostrożność**. Niezastosowanie się do tego zalecenia może skutkować obrażeniami ciała lub uszkodzeniem mienia.

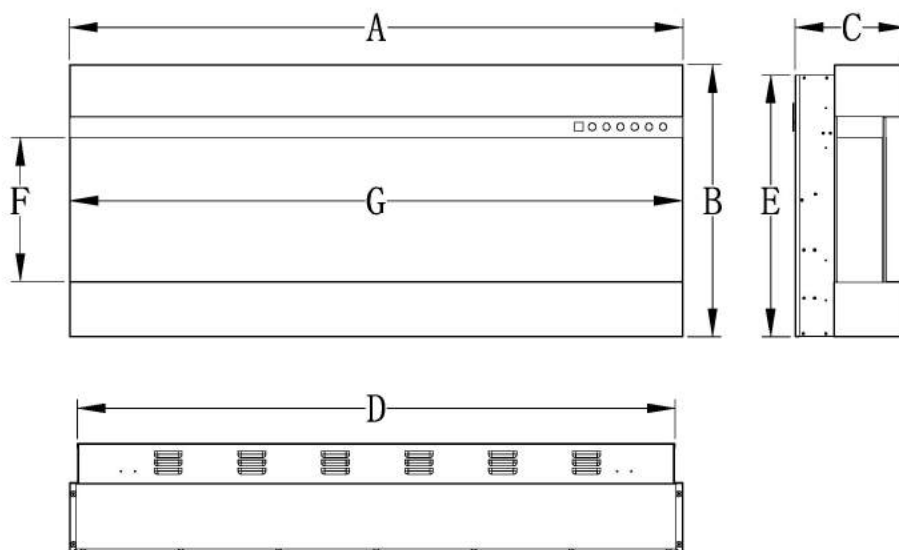
Wymij wszystkie podzespoły i elementy montażowe z kartonu i ułóż je na czystym, miękkim i suchym podłożu. Sprawdź listę części aby upewnić się, że niczego nie brakuje. Materiały opakowaniowe należy zutylizować we właściwy sposób. Zawsze gdy jest to możliwe, należy przekazywać odpady do ponownego przetwarzania.

**Niezbędne będą następujące narzędzia (nie stanowią wyposażenia):** śrubokręt krzyżakowy; poziomica; miarka; wiertarka; młotek.

# Podzespoły i elementy montażowe

<p><b>A – Kominek</b></p>			
	<p><b>B – Wkręty do drewna</b></p>		<p><b>C – Kotwy</b></p>
	<p>Pilot Zdalnego Sterowania</p>	<p>E-Metalowy uchwyt (Krótszy dolny)</p>	<p>F- Metalowy uchwyt (Dłuższy górny)</p>
<p>G-Wspornik</p> <p>Montowany z tyłu obudowy</p>	<p>H - Kryształki</p>	<p>I - Polana</p>	<p>J - Plastikowa tacka</p>

# Specyfikacja i wymiary



## WYMIARY KOMINKA

Model	A	B	C	D	E	F	G
AV-WM36IMP	36.6" 93cm	19.1" 48.4cm	7.9" 20cm	35.5" 90.2cm	18.3" 46.56cm	10.1" 25.61cm	36.4" 92.57cm
AV-WM43IMP	43.3" 110.2cm	19.1" 48.4cm	7.9" 20cm	42.2" 107.22cm	18.3" 46.56cm	10.1" 25.61cm	43.1" 109.6cm
AV-WM50IMP	50" 127cm	19.1" 48.4cm	7.9" 20cm	48.9" 124.2cm	18.3" 46.56cm	10.1" 25.61cm	49.8" 126.57cm
AV-WM60IMP	60" 152.4cm	19.1" 48.4cm	7.9" 20cm	58.9" 149.6cm	18.3" 46.56cm	10.1" 25.61cm	59.8" 151.97cm
AV-WM72IMP	72" 182.8cm	19.1" 48.4cm	7.9" 20cm	70.9" 180cm	18.3" 46.56cm	10.1" 25.61cm	71.8" 182.37cm

## Montaż i instalacja

Twoje urządzenie jest urządzeniem naściennym. Wybierz odpowiednie miejsce, które nie jest podatne na wilgoć i znajduje się z dala od zasłon, mebli i miejsc o dużym natężeniu ruchu.

**UWAGA:** Należy przestrzegać wszystkich krajowych i lokalnych przepisów elektrycznych.

### MINIMALNY ODSTĘP OD MATERIAŁÓW ŁATWOPALNYCH

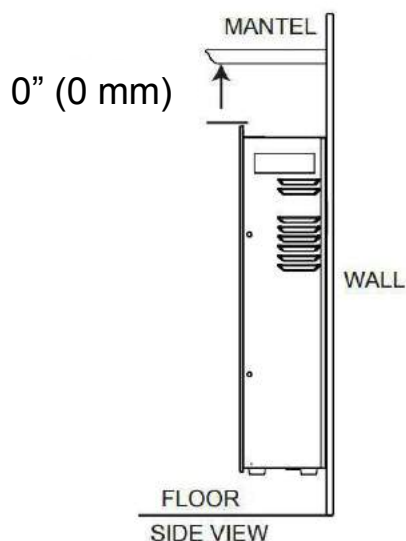
Pomiary są wykonywane od szklanego frontu.

Dół	0mm	Góra	0mm od obudowy
Boki	0mm	Góra	0mm od sufitu
Tył	0mm		

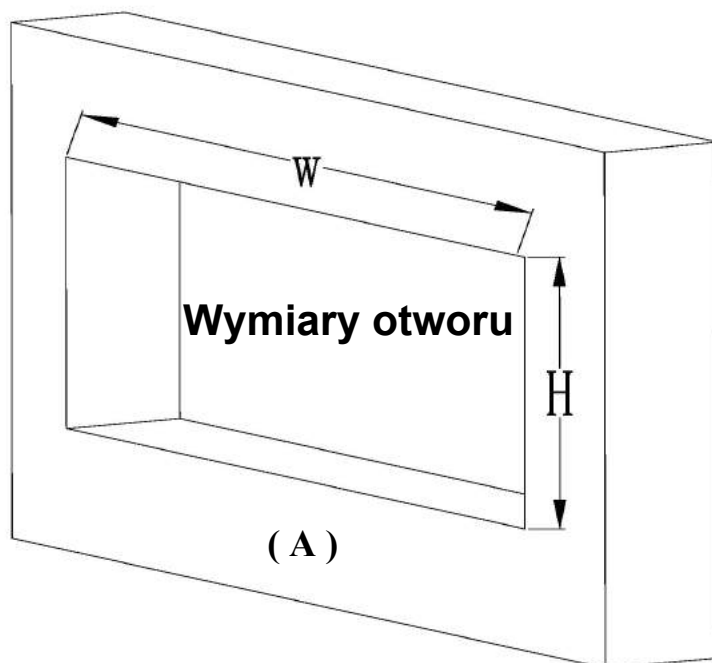
### MINIMALNY ODSTĘP OD OBUDOWY

## UWAGA

UŻYWAJĄC FARBY LUB LAKIERU DO WYKOŃCZENIA OBUDOWY, FARBA LUB LAKIER MUSI BYĆ ODPORNY NA CIEPŁO, ABY ZAPOBIEGAĆ ODBARWIENIOM.



## Wkład / wpuszczony w ścianę



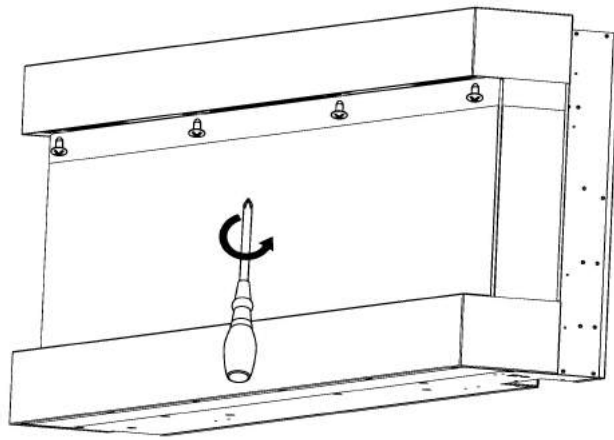
**KROK A.** Wymiary otworu w tabelce poniżej.  
**Rysunek ( A )**

Rozmiar otworu		
Model	W	H
AV-WM36IMP	35.9" (91.2CM)	18.84" (47.86CM)
AV-WM43IMP	42.71" (108.3CM)	18.84" (47.86CM)
AV-WM50IMP	49.29" (125.2CM)	18.84" (47.86CM)
AV-WM60IMP	59.29" (150.6CM)	18.84" (47.86CM)
AV-WM72IMP	71.25" (181CM)	18.84" (47.86CM)

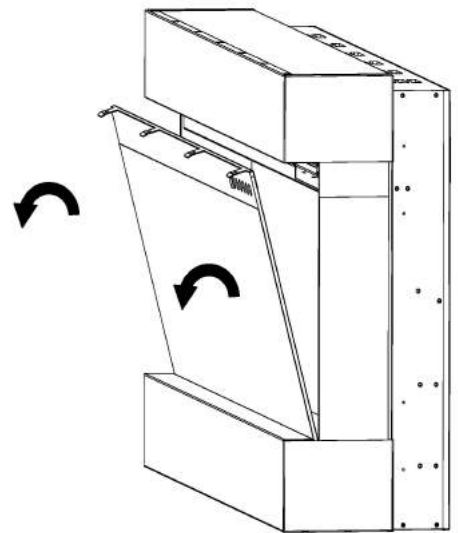
**KROK B.** Za pomocą śrubokrętu odkręć śruby z przodu **Rysunek (B)**

**KROK C.** W dwie osoby odchylcie ostrożnie szklany panel i zdejmijcie go **Rysunek (C)**

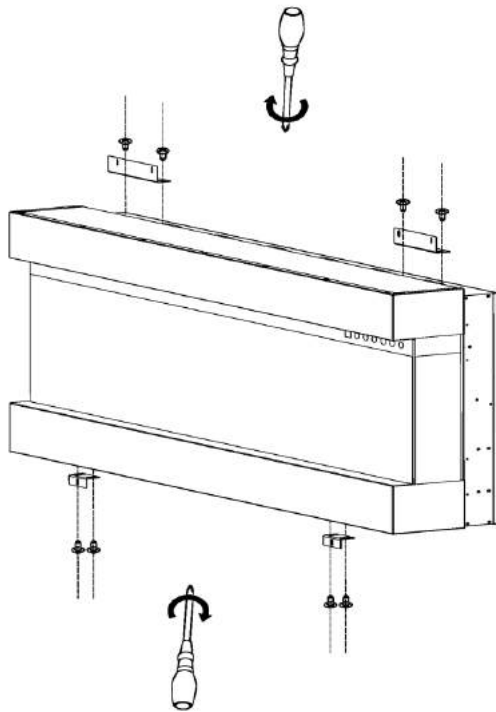




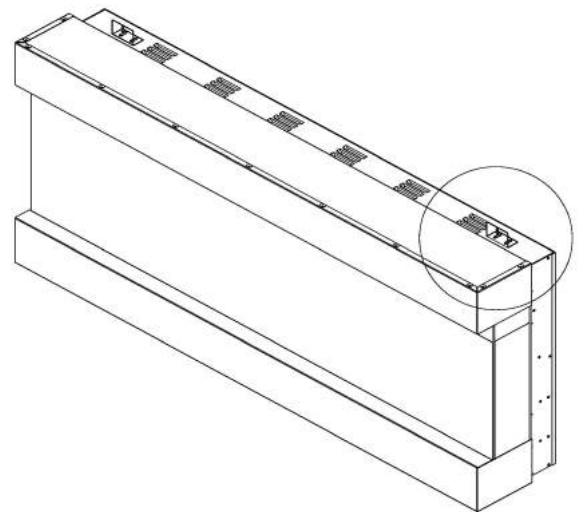
(B)



(C)



(D)



(E)

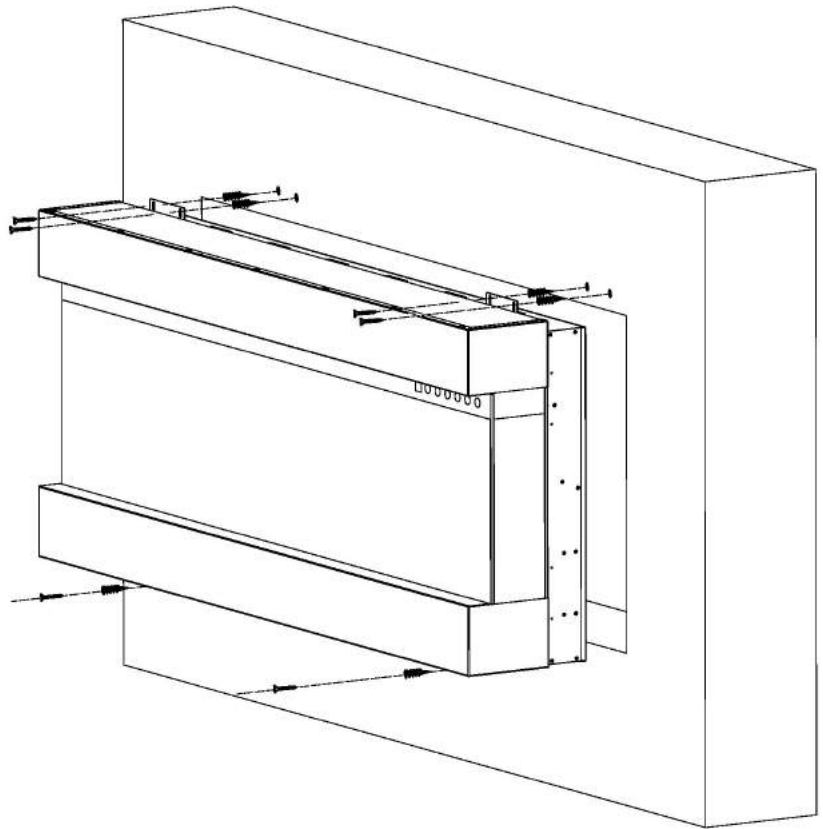
**KROK D.** Przymocuj metalowe wsporniki (E) do dołu i (F) góry obudowy. **Rysunek (D,E)**

**UWAGA:** Metalowe uchwyty mogą być używane jako ruchome, w razie potrzeby dostosuj je do najlepszej lokalizacji

**KROK E.** Poproś dwie osoby dorosłe, aby podniosły kominek i włożyły go do otworu w ścianie.

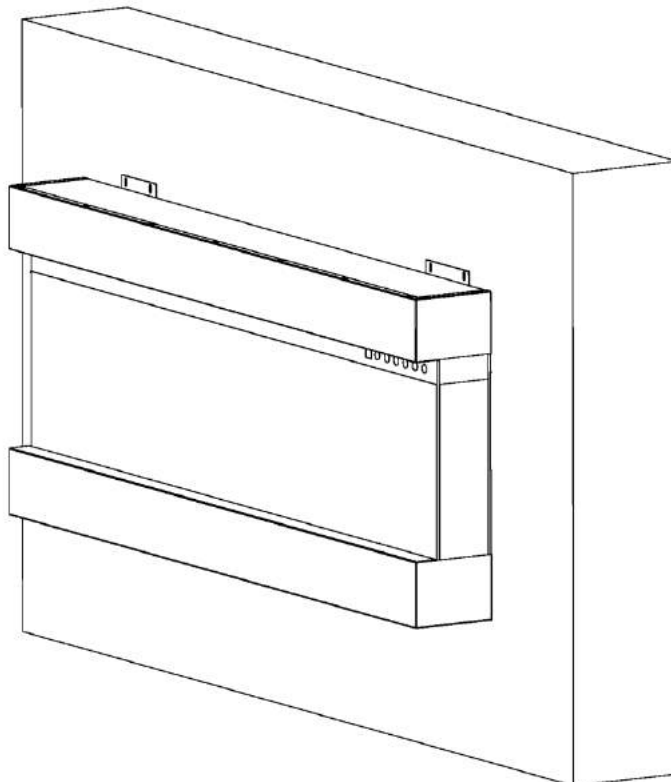
Za pomocą śrubokrętu przymocuj wszystkie wkręty do drewna i kotwy przez metalowe wsporniki do ściany i mocno przymocuj.

**UWAGA:** Upewnij się, że wszystkie śruby i kotwy są dobrze przykręcone.



( F )

**KROK F.** Twój kominek będzie wyglądał następująco po instalacji



# MONTAŻ NAŚCIENNY

Ze względu na wiele różnych materiałów używanych na różnych ścianach, zaleca się skonsultowanie z profesjonalistą przed zainstalowaniem tego urządzenia na ścianie.

**A.** Wybierz miejsce, które nie jest podatne na wilgoć i znajduje się co najmniej 100cm od materiałów łatwopalnych, takich jak zasłony, meble, pościel, papier itp.

**B.** Aby ustalić ostateczną lokalizację potrzebne są dwie osoby do trzymania.

**C.** Umieść obudowę przodem do dołu na miękkiej, nieściernej powierzchni. Wyjmij wspornik z tyłu urządzenia odkręcając śruby, patrz Rysunek 1.

**D.** Oznacz położenie, a następnie przymocuj wsporniki do ściany za pomocą dostarczonych śrub. Uchwyt

MUSI mieć zagięcia skierowane w górę i być wypoziomowany. **UWAGA:**

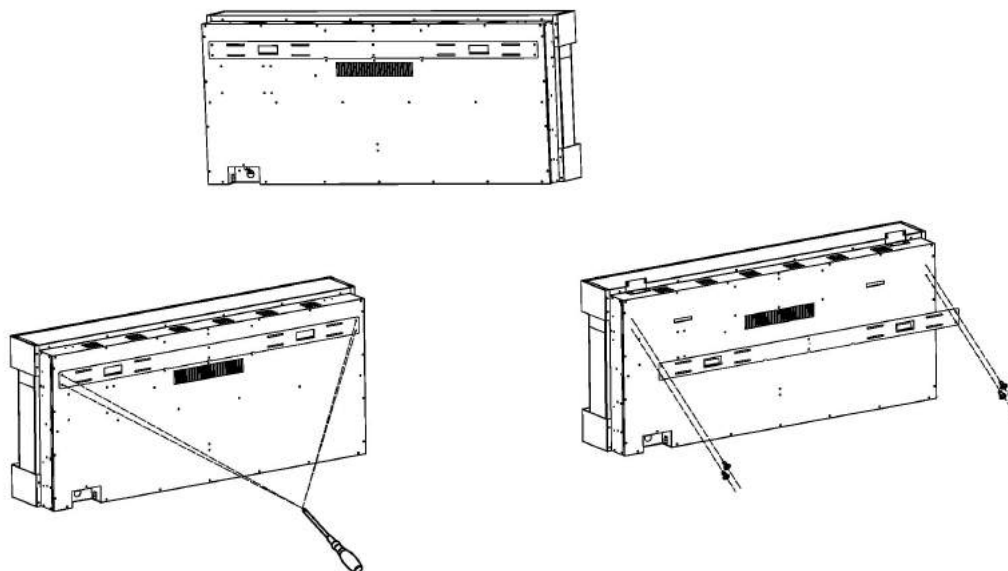
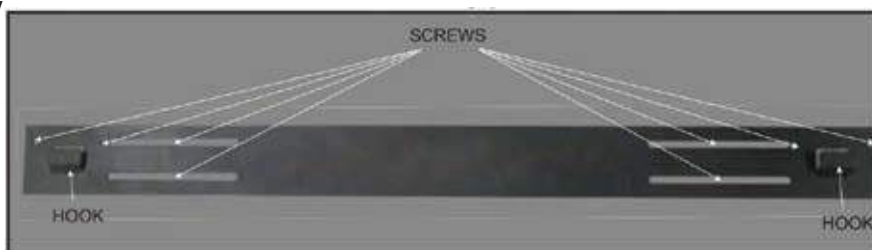
**Zdecydowanie zaleca się, aby**

**wspornik montażowy (E) był przykręcony do kołków ściennych tam, gdzie to możliwe. Jeśli nie można użyć wkrętów ściennych,**

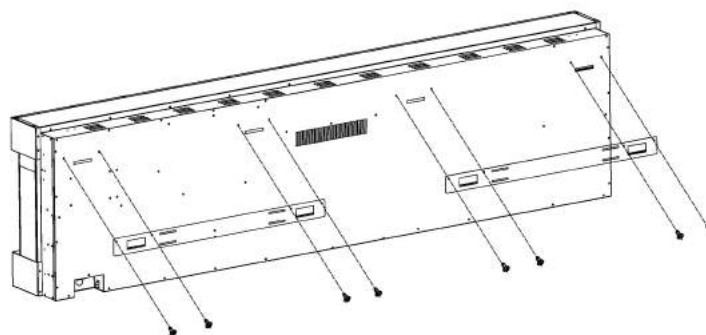
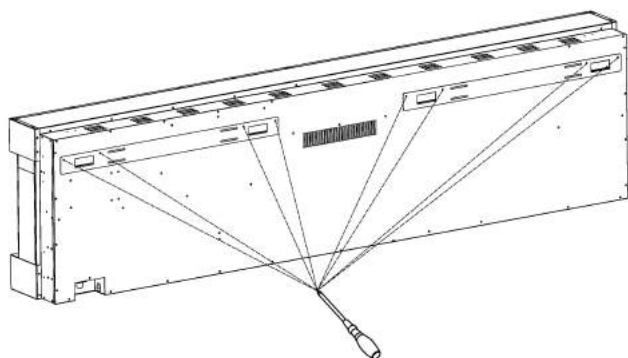
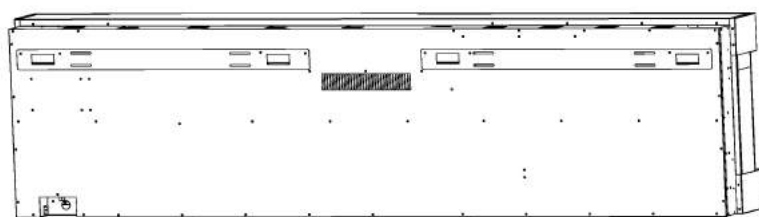
**upewnij się, że dostarczone plastikowe kotwice użyte są do przymocowania wspornika do ściany, a wspornik jest odpowiednio zabezpieczony.**

**E.** Po zamontowaniu wspornika do montażu na ścianie dwie osoby podnoszą urządzenie i wkładają zagięcia wspornika w gniazda urządzenia.

**F.** Sprawdź stabilność urządzenia, upewniając się, że wspornik nie wysunie się ze ściany.

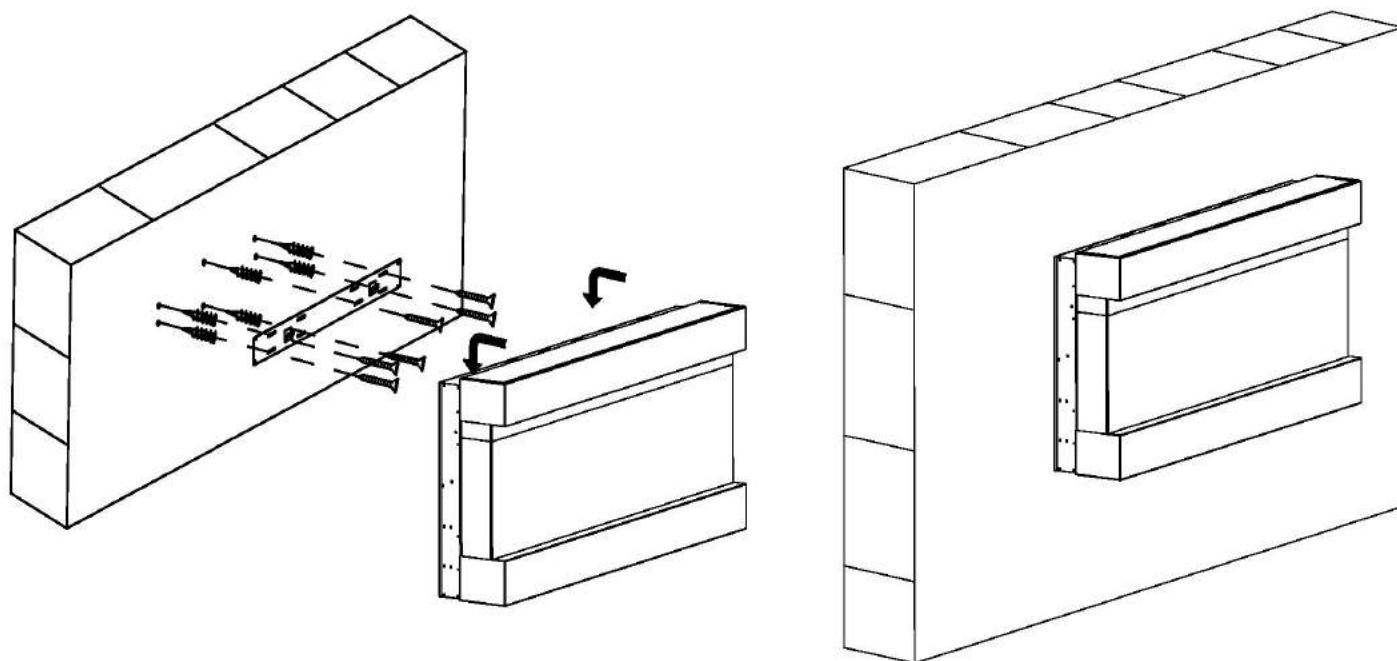


Wspornik AV-WM36-50IMP



Wspornik AV-WM60-72IMP

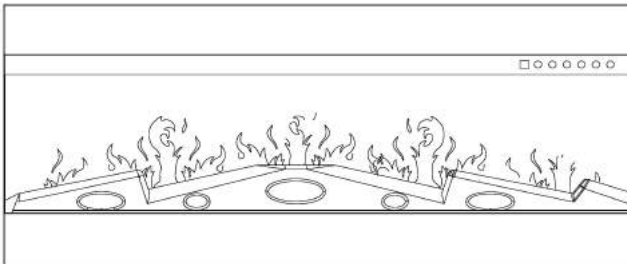
**G. Twój kominek będzie wyglądał następująco po instalacji**



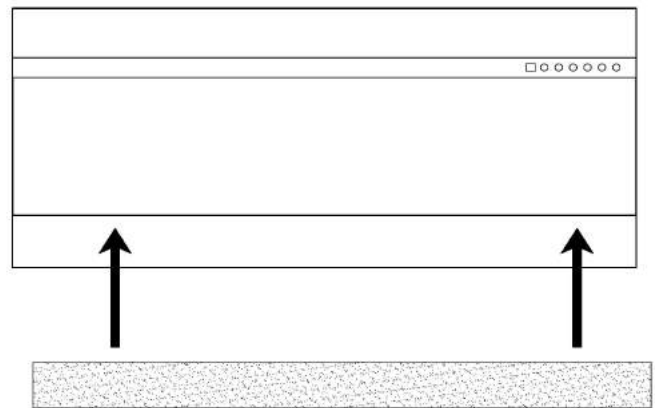
# Montaż zestawu polan / kryształków

(**UWAGA:** wykonaj montaż zgodnie z zakupionym lub wybranym rodzajem paleniska)

- A.** Przed przystąpieniem do montażu zestawu polan / kryształków, urządzenie musi być zainstalowane w docelowym miejscu oraz należy zdjąć przednią szklaną szybę.
- B.** Jeżeli kominek został dostarczony z zestawem polan, wyjmij je z opakowania i umieść w kominku **Rysunek 1.**
- C.** Aby zmienić na kryształki, wyciągnij najpierw polana z kominka. Umieść tacę z tworzywa ( **J** ) na przeznaczonym do tego miejscu wewnątrz kominka. Następnie ostrożnie rozłóż kryształki / kamyki na spodzie tacy, z przodu urządzenia, jak pokazano na rysunku. Ułóż równą warstwę na całej długości. **Rysunek 2, Rysunek 3.**



Rysunek 1



Rysunek 2



Rysunek 3. (Kryształki)

# Obsługa



Przed podłączeniem lub rozpoczęciem korzystania z urządzenia, przeczytaj ze zrozumieniem całą instrukcję użytkownika, z uwzględnieniem **wszystkich informacji dotyczących bezpieczeństwa**. Niezastosowanie się do tego wymogu może skutkować **porażeniem prądem, wzniesieniem ognia, poważnymi obrażeniami ciała lub śmiercią**.

## Podłączenie do zasilania

Podłącz przewód zasilający do gniazdka AC 220-240 V (patrz **WAŻNE INSTRUKCJE BEZPIECZEŃSTWA** na **stronach 2 i 3**). Upewnij się, że gniazdko jest w dobrym stanie technicznym i wtyczka nie jest luźna. **NIGDY** nie przekraczaj dopuszczalnego natężenia prądu dla obwodu. **NIE** podłączaj innych urządzeń do tego samego obwodu.

## Sposoby obsługi




Kominek ten można obsługiwać za pomocą PANELU DOTYKOWEGO znajdującego się na przedzie kominka lub korzystając z PILOTA ZDALNEGO STEROWANIA, zasilanego bateriami.

Obsługa i funkcje obu metod są identyczne.

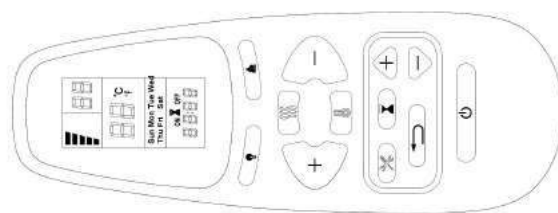
Przed przystąpieniem do obsługi, zapoznaj się z **WAŻNYMI INSTRUKCJAMI BEZPIECZEŃSTWA** na **stronach 2 i 3** i zastosuj się do nich.

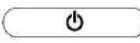


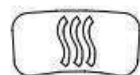
## Obsługa panelu sterowania / pilota

BUTTON	FUNCTION	ACTION & INDICATION
 POWER	<b>WŁ.:</b> Aktywuje funkcje panelu sterowania i pilota. Załącza efekt płomienia. <b>WYŁ.:</b> Blokuję funkcje panelu sterowania i pilota. Wyłącza efekt płomienia.	1. <b>Naciśnij raz:</b> Kontrolka zaświeci się. Załączenie zasilania. Wszystkie funkcje aktywne. 2. <b>Naciśnij ponownie:</b> Efekt płomienia wyłączony. Urządzenie w trybie oczekiwania. Wszystkie funkcje nieaktywne.
 TIMER	<b>Przycisk programatora:</b> Regulacja ustawień programatora w celu wyłączenia kominka o określonej godzinie. Zakres nastawy od 0,5 do 7,5 godziny.	1. <b>Naciśnij raz:</b> Kontrolka zaświeci się. Programator ustawiony na 0,5 godziny 2. <b>Naciskaj ponownie aż do uzyskaniażądanego ustawienia.</b> Kontrolka wskazuje ustawienie.
 FLAME	<b>Przycisk PŁOMIENIA:</b> regulacja jasności płomienia. <b>UWAGA:</b> Efekt płomienia pozostaje załączony do momentu naciśnięcia przycisku zasilania. Efekt płomienia musi być załączony w celu uruchomienia nagrzewnicy.	1. <b>Naciśnij raz:</b> Zmiana jasności efektu płomienia. 2. <b>Naciskaj ponownie aż do uzyskaniażądanego ustawienia.</b>

 <p><b>COLOR</b></p>	<p><b>Przycisk KOLORU:</b> Zmiana koloru dla efektu płomienia.</p> <p><b>UWAGA:</b> Efekt koloru pozostaje aktywny do momentu naciśnięcia przycisku zasilania. Efekt koloru płomienia musi być wyłączony w celu uruchomienia nagrzewnicy.</p>	<ol style="list-style-type: none"> <li>1. <b>Naciśnij raz:</b> Zmiana koloru płomienia.</li> <li>2. <b>Naciskaj ponownie</b> aż do uzyskaniażądanego ustawienia.</li> </ol>
 <p><b>HEATER</b></p>	<p><b>Przycisk NAGRZEWNICY:</b> Włącza i wyłącza nagrzewnicę.</p> <p><b>UWAGA:</b> Nagrzewnica będzie działać tylko gdy aktywny jest efekt płomienia. Jeżeli efekt płomienia jest wyłączony, nagrzewnica nie załączy się.</p> <p><b>UWAGA:</b> Aby uniknąć przegrzania, wentylator nagrzewnicy będzie nawiewał chłodne powietrze przez 10 sekund przed załączeniem nagrzewnicy oraz po jej wyłączeniu.</p>	<ol style="list-style-type: none"> <li>1. <b>Naciśnij raz.</b> Zapali się kontrolka. Wentylator nawiewa chłodne powietrze przez 10 sekund. Niski poziom nagrzewnicy włączy się i nawiewa ciepłe powietrze.</li> <li>2. <b>Naciśnij ponownie.</b> Kontrolka świeci się. Wysoki poziom nagrzewnicy włączy się i nawiewa ciepła powietrze.</li> <li>3. <b>Naciśnij ponownie.</b> Nagrzewnica wyłączy się. Wentylator nawiewa chłodne powietrze przez 10 sekund umożliwiając schłodzenie nagrzewnicy, następnie wyłącza się.</li> </ol>
	<p><b>Przycisk podświetlenia paleniska ( 1 ):</b> Zmiana koloru efektu podświetlenia paleniska</p> <p><b>NOTE:</b> Efekt podświetlenia pozostaje do momentu naciśnięcia przycisku zasilania</p>	<ol style="list-style-type: none"> <li>1. <b>Naciśnij raz.</b> Zmiana koloru podświetlenia.</li> <li>2. <b>Naciskaj ponownie</b> aż do uzyskaniażądanego ustawienia w 10 wariantach.</li> </ol> <p><b>Uwaga:</b> Naciśnięcie przycisku 11 raz powoduje przejście do automatycznego trybu cyklicznego.</p>


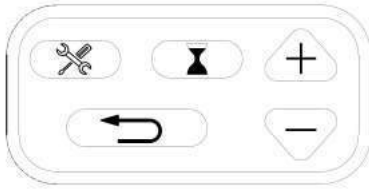



## Obsługa pilota



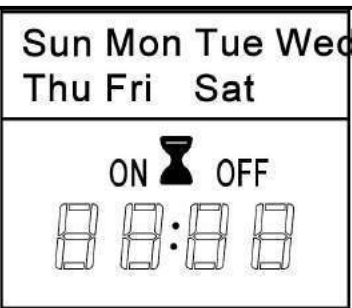
PRZYCISK	FUNKCJA	DZIAŁANIE i SYGNALIZACJA
 <b>POWER</b>	<p><b>WŁ.:</b> Aktywuje funkcje panelu sterowania i pilota. Załącza efekt płomienia.</p> <p><b>WYŁ.:</b> Blokuje funkcje panelu sterowania i pilota. Wyłącza efekt płomienia.</p>	<ol style="list-style-type: none"> <li>1. <b>Naciśnij raz:</b> Kontrolka zaświeci się. Załączenie zasilania. Wszystkie funkcje aktywne.</li> <li>2. <b>Naciśnij ponownie:</b> Efekt płomienia wyłączony. Urządzenie w trybie oczekiwania. Wszystkie funkcje nieaktywne.</li> </ol>
	<p><b>Przycisk KOLORU:</b> Zmiana koloru dla efektu płomienia.</p> <p><b>UWAGA:</b> Efekt koloru pozostaje aktywny do momentu naciśnięcia przycisku zasilania. Efekt koloru płomienia musi być załączony w celu uruchomienia nagrzewnicy.</p>	<ol style="list-style-type: none"> <li>1. <b>Naciśnij raz:</b> Zmiana koloru płomienia.</li> <li>2. <b>Naciskaj ponownie</b> aż do uzyskania żądanego ustawienia.</li> </ol>
	<p><b>Przycisk PŁOMIENIA:</b> regulacja jasności płomienia.</p> <p><b>UWAGA:</b> Efekt płomienia pozostaje załączony do momentu naciśnięcia przycisku zasilania. Efekt płomienia musi być załączony w celu uruchomienia nagrzewnicy.</p>	<ol style="list-style-type: none"> <li>1. <b>Naciśnij raz:</b> Zmiana jasności efektu płomienia.</li> <li>2. <b>Naciskaj ponownie</b> aż do uzyskania żądanego ustawienia.</li> </ol>
 <b>HEATER</b>	<p><b>Przycisk NAGRZEWNICY:</b> Włącza i wyłącza nagrzewnicę.</p> <p><b>UWAGA:</b> Nagrzewnica będzie działać tylko gdy aktywny jest efekt płomienia. Jeżeli efekt płomienia jest wyłączony, nagrzewnica nie załączy się.</p> <p><b>UWAGA:</b> Aby uniknąć przegrzania, wentylator nagrzewnicy będzie nawiewał chłodne powietrze przez 8-10 sekund przed załączeniem nagrzewnicy oraz po jej wyłączeniu.</p>	<ol style="list-style-type: none"> <li>1. <b>Naciśnij raz.</b> Zapali się kontrolka. Wentylator nawiewa chłodne powietrze przez 10 sekund. Niski poziom nagrzewnicy włączy się i nawiewa ciepłe powietrze.</li> <li>2. <b>Naciśnij ponownie.</b> Kontrolka świeci się. Wysoki poziom nagrzewnicy włączy się i nawiewa ciepła powietrze.</li> <li>3. Naciśnij ponownie. Nagrzewnica wyłączy się. Wentylator nawiewa chłodne powietrze przez 10 sekund umożliwiając schłodzenie nagrzewnicy, następnie wyłącza się.</li> </ol>



## USTAWIENIA PROGRAMATORA NA PILOCIE








 <b>Timer:</b> Wyświetla bieżący dzień, czas i tydzień. Naciśnij aby wprowadzić lub potwierdzić ustawienia.	
 <b>Ustawienia:</b> Naciśnij aby przejść do następnego kroku (używaj z przyciskiem Timer). Naciśnij, aby potwierdzić program tygodniowy.	
 <b>Wstecz:</b> Naciśnij aby wyczyścić ustawienia. Naciśnij aby wrócić do poprzedniego kroku (używaj z przyciskiem Ustawienia).	
 <b>Góra/Dół</b> (używaj z przyciskiem Ustawienia).	

### Wyświetlacz cyfrowy





<b>Dni tygodnia</b> → Mon, Tues, Wed, Thurs, Fri, Sat, Sun		<p><b>Uwaga:</b> Funkcje można regulować tylko wtedy, gdy migają odpowiednie litery lub cyfry.</p> <p><b>Uwaga:</b> Skalibruj zegar do aktualnego czasu przed ustawieniami cotygodniowymi.</p>
<b>Wyświetlanie czasu</b> →		
Bieżący czas / Timer od 00: 00 do 24		

 <b>TEMP</b>	<p><b>Przycisk TEMPERATURY:</b> Włącza i wyłącza nagrzewnicę.</p> <p><b>UWAGA:</b> Naciśnij i Przytrzymaj przycisk przez 5 sekund, skala zmieni się z °C na °F. Tak samo z °F na °C.</p>	<p>1. <b>Naciśnij raz:</b> Zapali się kontrolka. Temperatura zmieni się na 18 °C</p> <p>2. <b>Naciśnij ponownie:</b> aż do uzyskania żądanego ustawienia. Wyświetlacz wskazuje nastawę z tabeli:</p>																																																								
	<table border="1"> <thead> <tr> <th>NO</th><th>0</th><th>1</th><th>2</th><th>3</th><th>4</th><th>5</th><th>6</th><th>7</th><th>8</th><th>9</th><th>10</th><th>11</th><th>12</th></tr> </thead> <tbody> <tr> <td>°C</td><td>18</td><td>19</td><td>20</td><td>21</td><td>22</td><td>23</td><td>24</td><td>25</td><td>26</td><td>27</td><td>28</td><td>29</td><td>30</td></tr> <tr> <td>°F</td><td>64</td><td>66</td><td>68</td><td>70</td><td>72</td><td>74</td><td>76</td><td>78</td><td>80</td><td>82</td><td>84</td><td>86</td><td>88</td></tr> <tr> <td></td><td>65</td><td>67</td><td>69</td><td>71</td><td>73</td><td>75</td><td>77</td><td>79</td><td>81</td><td>83</td><td>85</td><td>87</td><td></td></tr> </tbody> </table>	NO	0	1	2	3	4	5	6	7	8	9	10	11	12	°C	18	19	20	21	22	23	24	25	26	27	28	29	30	°F	64	66	68	70	72	74	76	78	80	82	84	86	88		65	67	69	71	73	75	77	79	81	83	85	87		
	NO	0	1	2	3	4	5	6	7	8	9	10	11	12																																												
°C	18	19	20	21	22	23	24	25	26	27	28	29	30																																													
°F	64	66	68	70	72	74	76	78	80	82	84	86	88																																													
	65	67	69	71	73	75	77	79	81	83	85	87																																														

### 1 Ustaw bieżący dzień i czas






- Naciśnij  raz. Gdy "MON" (Poniedziałek) zacznie migać, użyj  aby wybrać bieżący dzień.
- Naciśnij . Gdy cyfry godzinowe zaczną migać, użyj  aby ustawić godziny.
- Naciśnij  ponownie. Gdy cyfry minutowe zaczną migać, użyj  aby ustawić minuty.
- Naciśnij  ponownie. Bieżący czas został ustawiony.

## 2 Ustaw czas włączania/wyłączania i temperaturę w programie tygodniowym

1. Naciśnij . Gdy zacznie migać "MON" (poniedziałek), naciśnij  3 razy. Gdy "ON" zacznie migać, użyj  aby wybrać pożądaną godzinę i minutę **WŁĄCZENIA** grzania.  w dowolnym momencie, aby skasować cyfry i wyłączyć timer.









### uwaga:

Timer można regulować tylko w 30-minutowych krokach (np. 00:00 - 00:30; 00:30 - 01:00, itd.)

2. Naciśnij . Gdy zacznie migać "OFF", użyj  do wybrania żądanej godziny i minuty **WYŁĄCZENIA** grzania. Naciśnij  w dowolnym momencie, aby skasować cyfry i wyłączyć timer.
3. Naciśnij  ponownie. Gdy "18" zacznie migać, użyj  do wybrania pożądanego temperatury dla poniedziałku.

### uwaga:

Jeśli temperatura była wcześniej ustawiona, cyfry te będą wyświetlane zamiast "18".

4. Naciśnij  ponownie. Gdy pojawi się "TUES" (wtorek) i "ON" zacznie migać, użyj  aby wybrać pożądaną godzinę i minutę włączenia grzania we wtorek.
5. Naciśnij  ponownie. . Gdy zacznie migać "OFF", użyj  do wybrania żądanej godziny i minuty wyłączenia grzania we wtorek.
6. Naciśnij  ponownie. Gdy "18" zacznie migać, użyj  do wybrania pożądanego temperatury dla wtorku.
7. Powtórz kroki od 1 do 6, aby ustawić czas włączania/wyłączania i temperaturę dla środy (WED), czwartku (THURS), piątku (FRI), soboty (SAT) i niedzieli (SUN).
8. Naciśnij  lub  aby zakończyć ustawianie, upewniając się, że pilot jest skierowany na odbiornik umiejscowiony na środku urządzenia. Urządzenie wyemituje jeden sygnał dźwiękowy, aby potwierdzić, że programowanie zakończyło się powodzeniem.

## Ostrzeżenie o otwartym oknie

Jeśli temperatura w pomieszczeniu spadnie o 10 stopni w ciągu 3 minut, urządzenie założy, że w pobliżu znajduje się otwarte okno. Aby oszczędzać energię, kominek automatycznie przełączy się z trybu Wysoki na Niski lub jeśli nagrzewnica jest już w trybie Niski, całkowicie się wyłączy.

Po przełączeniu z trybu Wysoki na Niski urządzenie wyemituje 3 sygnały dźwiękowe, a wyświetlacz cyfrowy będzie migał "88" 3 razy przed wyświetleniem istniejącego stanu nagrzewania.

Po przełączeniu z trybu Niski na Off urządzenie wyemituje 3 sygnały dźwiękowe, a wyświetlacz cyfrowy będzie ciągle migał "88".

Aby zresetować funkcję ogrzewania, patrz rozdział "Obsługa pilota".

## UWAGA

Podczas pierwszego uruchomienia nagrzewnicy może pojawić się delikatny zapach. Jest to normalne zjawisko i nie powinno się powtórzyć, chyba że nagrzewnica nie będzie używana przez dłuższy czas.

## UWAGA

Aby usprawnić działanie, **skieruj** pilota na przód kominka. **NIE naciskaj przycisków za szybko**. Odczekaj chwilę aż urządzenie zareaguje na poszczególne komendy.

## Sterowanie ograniczeniem temperatury

Nagrzewnica wyposażona jest w sterowanie ograniczeniem temperatury. W przypadku osiągnięcia niebezpiecznie wysokiej temperatury, nagrzewnica wyłączy się. W celu przywrócenia pracy:

1. Odłącz przewód zasilający od gniazdka.
2. Przełącz przełącznik ON/OFF na PANELU STEROWANIA na OFF. **Odczekaj 5 minut**.
3. Sprawdź czy kratki wentylacyjne kominka nie są zakryte lub zatkane kurzem. W przypadku zatkania, użyj odkurzacza w celu ich oczyszczenia.
4. Z przełącznikiem ustawionym w pozycji OFF, ponownie podłącz przewód zasilający do gniazdka.
5. Jeżeli problem nie ustępuje, zleć sprawdzenie gniazdka i okablowania przez specjalistę.

## Informacja o bateriach pilota

- W tym pilocie zastosowano 3 baterie typu AAA (3 x 1,5V).



**NIGDY** nie należy wrzucać baterii do **ognia**. Postępowanie niezgodne z tym wymogiem **może grozić wybuchem**. Zużyte baterie należy wrzucać do specjalnie oznakowanych pojemników lub przekazać do Punktu Selektywnej Zbiórki Odpadów Komunalnych.

## Czyszczenie i konserwacja

### Czyszczenie



Przed przystąpieniem do czyszczenia, konserwacji lub przenoszenia kominka, należy **ZAWSZE wyłączyć** nagrzewnicę i **odłączyć przewód zasilający z gniazdka**. Niezastosowanie się do tego wymogu może skutkować **porażeniem prądem, wzniesieniem ognia lub obrażeniami ciała**.



**NIGDY** nie zanurzaj urządzenia w wodzie ani nie spryskuj wodą. Takie postępowanie może skutkować **porażeniem prądem, wzniesieniem ognia lub obrażeniami ciała**.

### Elementy metalowe:

- Polerować suchą ściereczką, delikatnie zwilżoną w preparacie czyszczącym na bazie olejków cytrusowych.
- **NIE** używać środków do polerowania miedzi lub domowych środków czyszczących, ponieważ produkty te uszkodzą metalowe wykończenie.

### Elementy szklane:

- Stosować wysokiej jakości środek do mycia powierzchni szklanych, rozpylany na ściereczkę lub ręcznik. Osuszyć dokładnie ręcznikiem papierowym lub niestrzępiącą się ściereczką.
- **NIGDY** nie używać ściernych środków czyszczących, aerozoli lub innych produktów mogących zarysować powierzchnię.

### Kratki wentylacyjne:

- Usunąć kurz i brud z nagrzewnicy i powierzchni kratki za pomocą odkurzacza lub ściereczki do kurzu.

### Elementy z tworzywa:

- Przetrzeć delikatnie za pomocą ściereczki, lekko nawilżonej łagodnym roztworem płynu do naczyń i ciepłej wody.
- **NIGDY** nie używać ściernych środków czyszczących, aerozoli lub innych produktów mogących zarysować powierzchnię.

## Konserwacja



**Ryzyko porażenia prądem! NIE OTWIERAJ żadnych paneli! Urządzenie nie zawiera części przeznaczonych do samodzielnej naprawy!**



Przed przystąpieniem do czyszczenia, konserwacji lub przenoszenia kominka, należy **ZAWSZE wyłączyć** nagrzewnicę i **odłączyć przewód zasilający z gniazdka**. Niezastosowanie się do tego wymogu może skutkować **porażeniem prądem, wzniesieniem ognia lub obrażeniami ciała**.

### Elementy elektryczne i ruchome:

- Silniki wentylatorów zostały fabrycznie nasmarowane i nie wymagają późniejszego smarowania.
- Elementy elektryczne są zintegrowane w urządzeniu i nie są mogą być samodzielnie naprawiane.

### Przechowywanie:

- Nieużywane urządzenie należy przechowywać w czystym, suchym miejscu.



**OSTRZEŻENIE!** Wewnętrzne elementy elektryczne **NIE SĄ PRZEZNACZONE** do samodzielnej naprawy przez użytkownika.

## ▲ OSTRZEŻENIE

**PRZED JAKĄKOLWIEK CZYNNOŚCIĄ SERWISOWĄ, ODŁĄCZ URZĄDZENIE CAŁKOWICIE OD ZASILANIA I POCZEKAJ AŻ OSTYGNIE. URZĄDZENIA ELEKTRYCZNE MOGĄ BYĆ SERWISOWANE I NAPRAWIANE WYŁĄCZNIE PRZEZ WYKWALIFIKOWANY PERSONEL SERWISU.**

Problem	Możliwa przyczyna	Rozwiązanie
1. Kominek wyłącza się i nie można go ponownie włączyć.	1. Kominek przegrzał się i zabezpieczenie spowodowało zadziałanie wyłącznika termicznego lub został wyzwolony wyłącznik obwodu zasilania.	1. Zresetuj zabezpieczenie poprzez przełączenie wyłącznika zasilania na OFF i odczekanie 10 minut, a następnie ponowne jego załączenie lub wciśnij wyłącznik samoczynny obwodu zasilania.
2. Płomień nie porusza się.	1. Luźne przewody. 2. Uszkodzony silniczek mechanizmu płomienia. 3. Palnik nie jest na swoim miejscu.	1. Sprawdź okablowanie pod kątem luźnych połączeń. 2. Skontaktuj się z autoryzowanym serwisantem w celu wymiany silniczka. 3. Palnik mógł przesunąć się w trakcie transportu/przenoszenia. Czynności naprawcze wymagają zdemontowania przedniej szyby, obrócenia kominka do góry dnem, usunięcia zestawu śrub mocujących spodnią płytę i umieszczeniu palnika z powrotem na swoim miejscu.
3. Płomień jest niewidoczny.	1. Luźne przewody.	1. Odłącz przewód od źródła zasilania i sprawdź pod kątem luźnych połączeń. Napraw lub wymień w razie konieczności. 2. Naciśnij przycisk płomienia aby zwiększyć siłę efektu.
4. Zestaw polan nie żarzy się.	1. Luźne przewody. 2. Funkcja żarzenia jest wyłączona.	1. Odłącz przewód od źródła zasilania i sprawdź pod kątem luźnych połączeń. Napraw lub wymień w razie konieczności. 2. Naciśnij przycisk żarzenia aby zwiększyć siłę efektu.
5. Pilot nie działa.	1. Wyczerpane baterie. 2. Nieprawidłowo skierowany nadajnik sygnału. 3. Uszkodzony pilot i/lub czujnik.	1. Wymień baterie w pilocie. 2. Skieruj nadajnik na czujnik umieszczony bezpośrednio za szklanym panelem na środku urządzenia nad polanami. 3. Wymień pilota i/lub czujnik.
6. Kominek nie uruchamia się pomimo przełączenia wyłącznika w pozycję ON.	1. Kominek nie został podłączony do gniazdka elektrycznego. 2. Usterka sterowania. 3. Wyzwolenie bezpiecznika.	1. Sprawdź wtyczkę. 2. Skontaktuj się z autoryzowanym serwisem. 3. Ponownie załącz wyłącznik automatyczny.

---

7. Po załączeniu nagrzewnica nie emituje ciepła.	1. Zadziałanie wyłącznika termicznego.	1. Wyłącz urządzenie i odłącz je od zasilania na 10 minut. Podłącz wtyczkę ponownie i załącz urządzenie. Jeżeli wtyczka nie jest dostępna, postępuj zgodnie z instrukcjami dotyczącym wyzwolonego zabezpieczenia różnicowoprądowego.
	2. Luźne przewody.	2. Odłącz przewód od źródła zasilania i sprawdź pod kontem luźnych połączeń. Napraw lub wymień w razie konieczności.
	3. Usterka nagrzewnicy.	3. Wymień nagrzewnicę.

---

**UWAGA:** W celu zdemontowania szklanego panelu, zlokalizuj dwie śruby po obu stronach frontu urządzenia (z lewej i prawej strony). Po ich odkręceniu, wysuń szybę w górę i wyjmij ją z kominka. Po usunięciu spodniej płyty widoczny będzie jeden silniczek płomienia z prawej strony, gdzie powinien być osadzony palnik razem z gumowymi uszczelkami.

Należy pamiętać o odłączeniu urządzenia od zasilania przed przystąpieniem do jakichkolwiek prac. Szybę jak i całe urządzenie należy zawsze kłaść na ręczniku lub innym materiale, który nie spowoduje uszkodzenia elementów/ramy.

Cała ta procedura nie powinna zająć więcej niż 20-30 minut.

---